



# FMV

Flow Meter with Flow adjustment valve

**FMV :**

Precision machined acrylic  
VA meter

**Accuracy :**

± 4% Full Scale

**Temperature Range :**

+60 C

**Materials:**

Float : 316 St St

Guide Rod: 316 St St

**Seals:** Silicone Rubber

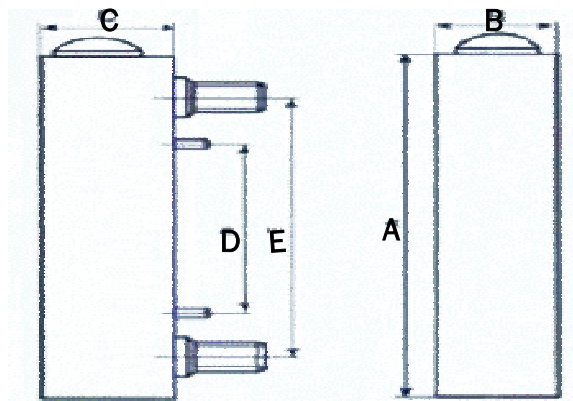
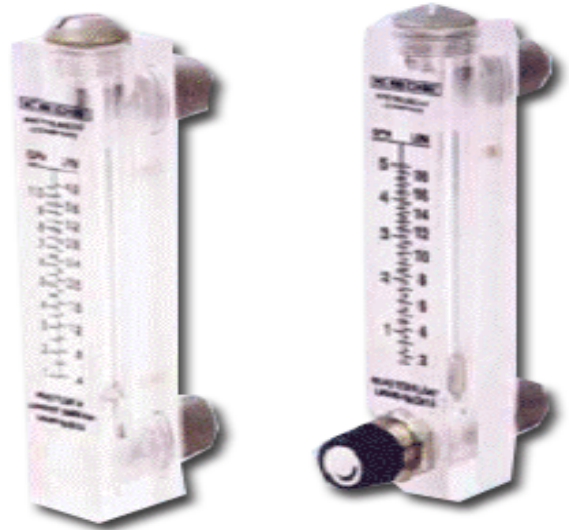
**Body:** Clear Acrylic

**Max Pressure:**

150 PSI (10 BAR)

**Weight:**

Dependant on size



**How to Order:**

FMV 6 – 2–25 L/Hr – 4G

Model	Size (MM)	Range (water 20 deg C)		Dimensions (CM)					
		LPM	LPH	A	B	C	D	E	Thread
FMV6	6		1 - 12	145	30	30		112	1/4" BSP
			2 - 25						
			4 - 40						
FMV6	6		10 - 100	145	30	30		112	1/4" BSP
FMV15	15	1 - 10		168	32	35	76	127	1/2" BSP
		2 - 20							
FMV20	20	5 - 35		220	39	44	100	115	3/4" BSP
		6 - 60							
FMV25	25	10 - 70		226	45	46	100	160	1" BSP
FMV25	25	10 - 100		240	44	50	100	175	1" BSP

Some Air Ranges Stocked



# BFM

## Inline VA Flow Meter

**BFM :**

Precision molded AS clear  
Inline VA meter

**Accuracy :**

± 4% Full Scale

**Temperature Range :**

+60 C MAX

**Materials:**

Float : ABS Coated Steel  
Guide Rod: 316 St St  
if applicable

**Seals:** Silicone Rubber

**Body:** Clear ABS

**Max Pressure:**

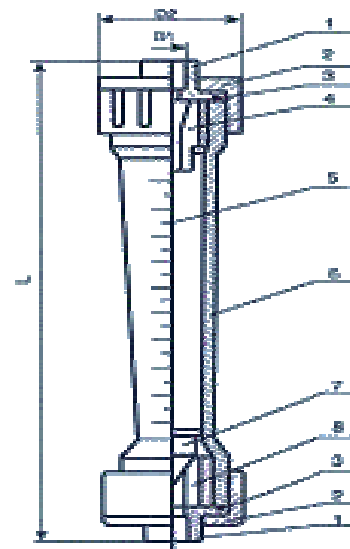
100 PSI (7 BAR)

**Weight:**

Dependant on size

**Thread:**

1/2" . 3/4" .1". 1 1/2".



- 1 Pipe connection
- 2 Screw cap
- 3 O - Ring
- 4 Upper stop
- 5 Scale
- 6 Tube
- 7 Float
- 8 Lower stop

**How to Order:**

**BFM 15 — 25–250 L/Hr — 1/2" BSP**

Model	Size (MM)	Range (water 20 deg C)		Dimensions (CM)			
		M3/hr	LPH	L	Pipe Dia D1	D 2	Thread
BFM15	15		10 - 100	280	Dia 20mm	Dia 32mm	1/2" BSP
			16 - 160				
			25 - 250				
BFM15	15		40 - 400	280	Dia 20mm	Dia 32mm	1/2" BSP
			60 - 600				
BFM 20	20		100 - 1000	380	Dia.32mm	Dia.43mm	3/4" BSP
			160 - 1600				
			250 - 2500				
			300 - 3000				
BFM 25	25	0.4 - 4M3/hr		425	Dia.63mm	Dia.75mm	1 1/2" BSP
BFM 25	25	1 - 10 M3/hr		425	Dia.63mm	Dia.75mm	1 1/2" BSP