

GEVA 75 Multi-Zone AC Irrigation Controller

General Description

The Geva 75 multi-zone AC irrigation controller is a new generation of irrigation controllers, with a user friendly menu driven interactive software. It is a 24V AC, 4 to 8 zones irrigation controller with an integrated backup battery. Enables to operate G75 24V AC coils or equivalent.

Notes

- For indoor or outdoor use.
- Transformer included.
- Large graphics LCD provides easy reading.
- Menu driven interactive software.
- Built-in multi-lingual menu: English, Spanish, Italian, French, Portuguese and Hebrew.
- Weekly or daily scheduled programming.
- Two factory preset programs included.
- Master valve output, manual irrigation, system test procedure and rain sensor input included.



Adaptor for outdoors



How to Order

Example : G75-C-82

Is a Geva 75 8 zones AC irrigation controller.

G75-C	Type	Voltage
	8 zones	24V AC
	8	2



Adaptor for indoors

Technical Specifications

Mechanical specifications

- Mounting : Indoor or outdoor, wall mount or 3/4" to 2" pipe mount (horizontal or vertical).
- Dust and water tight; electronic enclosure equivalent to IP67. Terminal and battery compartment equivalent to IP65.
- Operating temperature: - 10° to 60° C
- Six keys keypad.

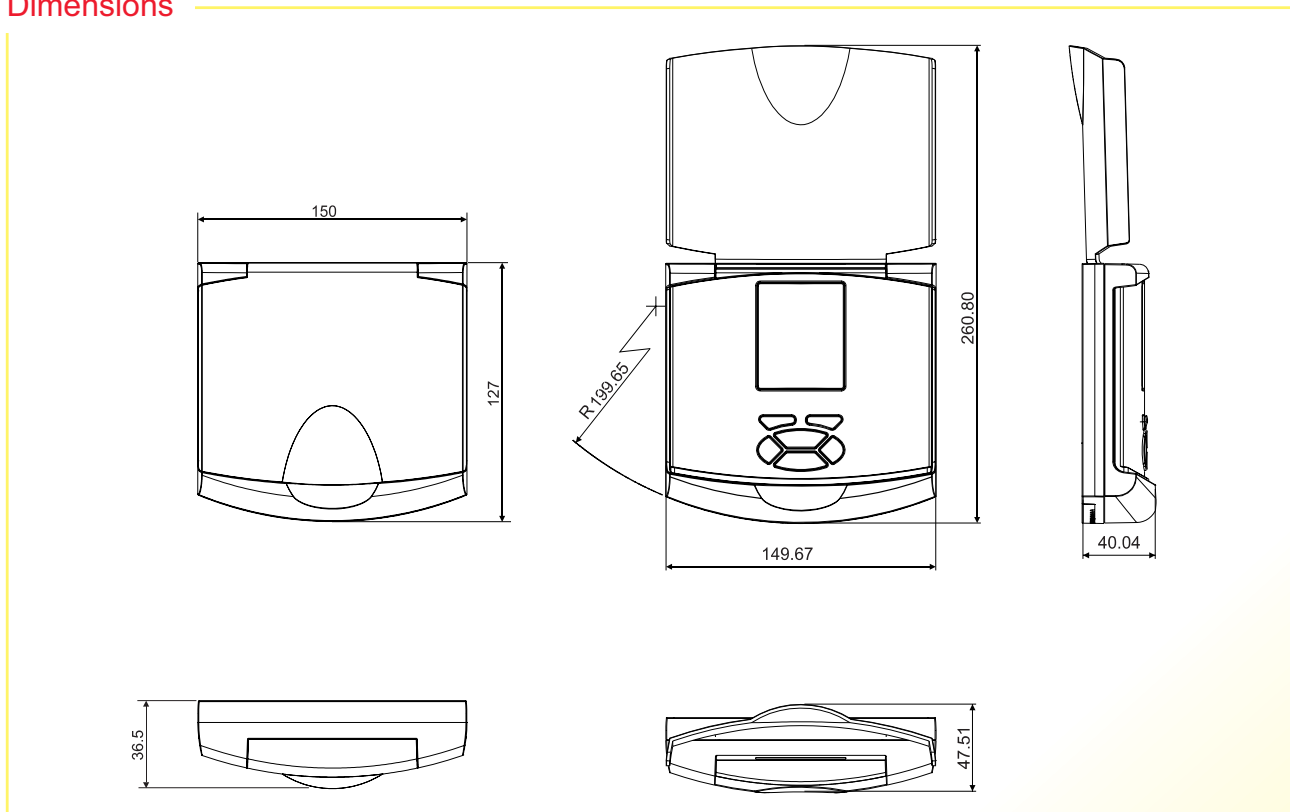
Electrical specifications

- Power supply : 230/50 to 24/50V AC 20VA 830 mA Transformer or 115/60 to 24/60V AC 20VA 830 mA Transformer
- Integrated Lithium memory backup battery.
- Screw in terminals.
- Low battery indicator.
- Power saving LCD display.
- Waterproof

Software features

- Scheduling timer options:
Program A: 7 day weekly day schedule
Program B: Days, interval scheduling
Program C: Factory preset 7 day weekly schedule
Program D: Factory preset days, interval scheduling.
- Unit off.
- Manual operation.
- System analysis:
Sequential operation of the valves.
- Up to four starts per valve per day. Valves will then open in sequence.
- Irrigation duration in minutes and hours (1 min -12 hrs with 10 min default).
- Season adjustment for irrigation duration 10% - 200% in 10% increments.
- Rain sensor ON/OFF option.
- Real time weekly clock (D:HH:MM).
- User menu language selection.

Dimensions



GEVA 75 Multi-Zone DC Irrigation Controller

General Description

The Geva 75 multi-zone DC irrigation controller is a new generation of irrigation controllers, with a user friendly menu driven interactive software. It is a stand alone battery power driven 4 to 8 zones irrigation controller. Powered by a single 9V battery. Enables to operate G75 9V latch coils or equivalent.

Notes

- For indoor or outdoor use.
- High quality alkaline battery included.
- Large graphics LCD provides easy reading.
- Menu driven interactive software.
- Built-in multi-lingual menu: English, Spanish, Italian, French, Portuguese and Hebrew.
- Weekly or daily scheduled programming.
- Two factory preset programs included.
- Master valve output, manual irrigation, system test procedure and rain sensor input included.



How to Order

Example : G75-C-81

Is a Geva 75 8 zones DC irrigation controller.

G75-C	Type	Voltage
	8 zones 8	9V DC 1



Technical Specifications

Mechanical specifications

- Mounting : Indoor or outdoor, wall mount or 3/4" to 2" pipe mount (horizontal or vertical).
- Dust and water tight; electronic enclosure equivalent to IP67. Terminal and battery compartment equivalent to IP65.
- Operating temperature: - 10° to 60° C
- Six keys keypad.

Electrical specifications

- Power supply : One 9V alkaline battery. Use top quality to ensure one year independent operation.
- Integrated Lithium memory backup battery.
- Screw in terminals.
- Low battery indicator.
- Power saving LCD display.
- Waterproof

Software features

- Scheduling timer options:
Program A: 7 day weekly day schedule
Program B: Days, interval scheduling
Program C: Factory preset 7 day weekly schedule
Program D: Factory preset days, interval scheduling.
- Unit off.
- Manual operation.
- System analysis:
Sequential operation of the valves.
- Up to four starts per valve per day. Valves will then open in sequence.
- Irrigation duration in minutes and hours (1 min -12 hrs with 10 min default).
- Season adjustment for irrigation duration 10% - 200% in 10% increments.
- Rain sensor ON/OFF option.
- Real time weekly clock (D:HH:MM).
- User menu language selection.

Dimensions

