

GEVA 75 Latch Solenoid Operator 2/2, 3/2 Way NC, NO

General Description

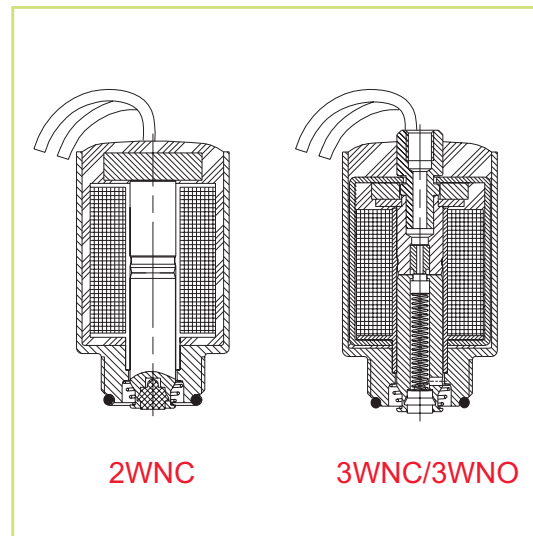
The 2/2, 3/2 Way, NC, NO operator is compatible with the 3/4-20 UNF operator seat. Epoxy encapsulated construction and exclusion of air assures complete sealing for the coil and lead wires entry. Wet metal parts are made of passivated Stainless steel, for maximum corrosion protection.

The operator consists of one coil with exit of two lead wires. Electrical operation by reversing the current, by use of transistors or relays.



Notes

- To pull the plunger up, connect the black wire to the (-) and the green to the (+).
- Coils for other voltages are available, please contact our technical sales department.



How to Order

Example : G75 - O - 11022

Is a GEVA 75 2WNC, 1/8BSP
1.2, 9-12 VDC Latch solenoid operator.

G75-O	Function	Port	Orifice	Voltage
2WNC	1	None 00	None(for 2W) 0	9-12VDC Latch 2
3WNC	3	1/8"BSP 10	1 1	24VDC Latch 6
3WNO	4	1/8"NPT 11	1.2 2	
			1.6 3	

Technical Specifications

Voltage:	9 or 12 VDC
Resistance:	4.2
Capacitors:	4700µF for 9VDC, 220µF for 12VDC
Switching Time:	25-50 msec
Electric connection:	Lead wires 35cm (Black/Green)
Protection:	IP66
Ambient Temp:	Max 60°C
Fluid Temp:	Max 80°C

Materials

Housing:	Reinforced Nylon 66
Plunger and Pole:	Passivated AISI430F
Rubber Seat:	EPDM
Encapsulate:	Polyurethane

Working Pressure 2W NC

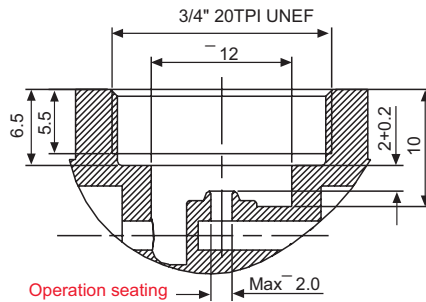
Orifice	up to 2.0
Pressure (bar)	12

Working Pressure 3W NC

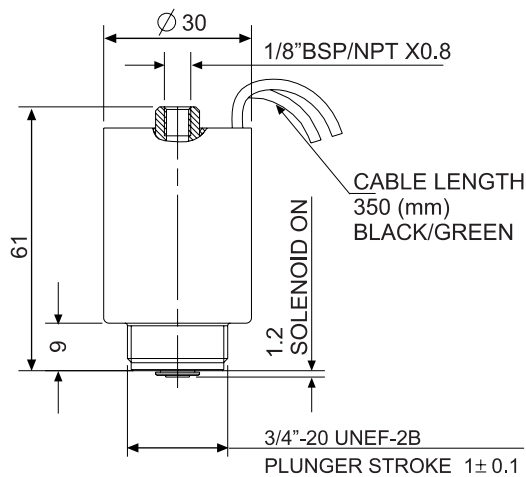
Orifice	1.0	1.2	1.6
Pressure (bar)	16	11	6

Working Pressure 3W NO

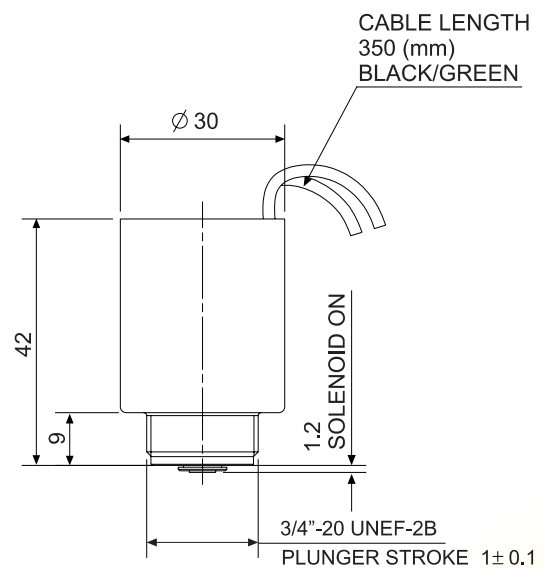
Orifice	1.0	1.2	1.6
Pressure (bar)	16	12	8



Dimensions



3WNC / 3WNO



2WNC