



GEVA 80 Direct Operated 3/2 Way NC, NO

General Description

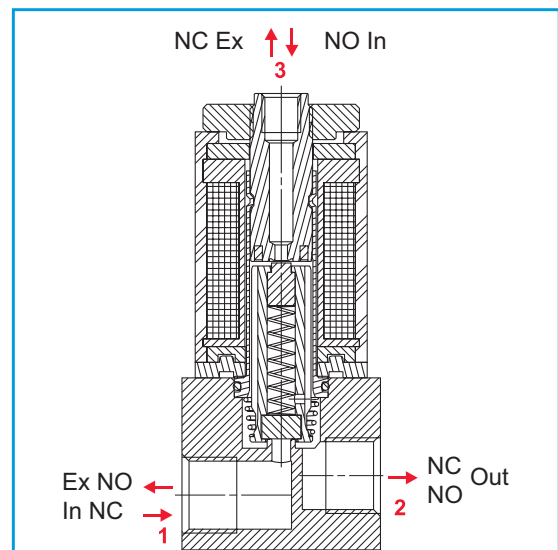
These valves are based on the GEVA 80 operator with 8mm diameter plunger. Due to its relatively low power consumption, the valve can be directly operated from an electronic controller.

The valves are used mainly in pneumatic applications as a pilot valve, but can be used for gas, water and light oils.



Notes

- Valves are 100% inspected at 10 bar. Valves for higher pressure are available upon special request. See table for maximum pressures.
- Valves for pressure higher than 12 bar are less manual override.
- The valves are AC or DC designated.
- The coil can be mounted in 4 positions at 90° apart.
- The coil plug can rotate 2 positions at 180°.
- To order valves manufactured to your specific requirements, please contact our technical sales department.



How to Order

Example : G80-A-10031V0-020

Is a GEVA 80 direct operated valve, aluminium base, M5, 3W NC, 1mm orifice with Viton seals, without manual override without coil, AC 6W 60Hz and without connector.

G80-A	Body	Port	Function	Orifice	Seals	Manual override	Voltage	Power	Connector
	Alum. 1	M5 00	3W NC 3	1 1	NBR N	None 0	W/out coil 0	No coil 0	without 0
	Brass 2	10UNF 01	3WNO 4	1.2 2	VITON V	plastic 1	12 2	AC7.5W50Hz 1	with 1
	St.st 3	1/8"BSP 10		1.6 3	EPDM E		24 3	AC6W60Hz 2	with bi 2
		1/8"NPT 11					110 5	DC6.5W 3	color LED 3
							230 7	AC4W50Hz 4	with LED & surge protection 3
							other 9	AC3W60Hz 5	
								DC3W 7	



Technical Specifications

Function: 3/2 Way NC or NO
 Port size: G1/8" BSP or NPT, M5
 Pressure and flow: Pressure rating according to both orifice size and power rating (see electrical specifications)
 Media: Fluid and gases with viscosity less than 3°E
 Temperature range: Fluid: -10°C to 80°C (with no freezing)
 Ambient: -10°C to 50°C

Materials (in contact with media) :

Tube :
 Brass or AISI 303 for St.st valves

Plunger & upper pole:
 430 FR

Seals:
 NBR, Viton, EPDM

Base:
 Al-6061, AISI 303 or Brass

Responded time: 5 - 12msec
 Weight: 50gr. (aluminium valve)

Electrical specifications

Standard voltages: 24, 110, 230V AC 12, 24V DC
 Duty cycle: 100%
 Variation in voltage: ± 10% nominal voltage

Protection class IP65 with connector

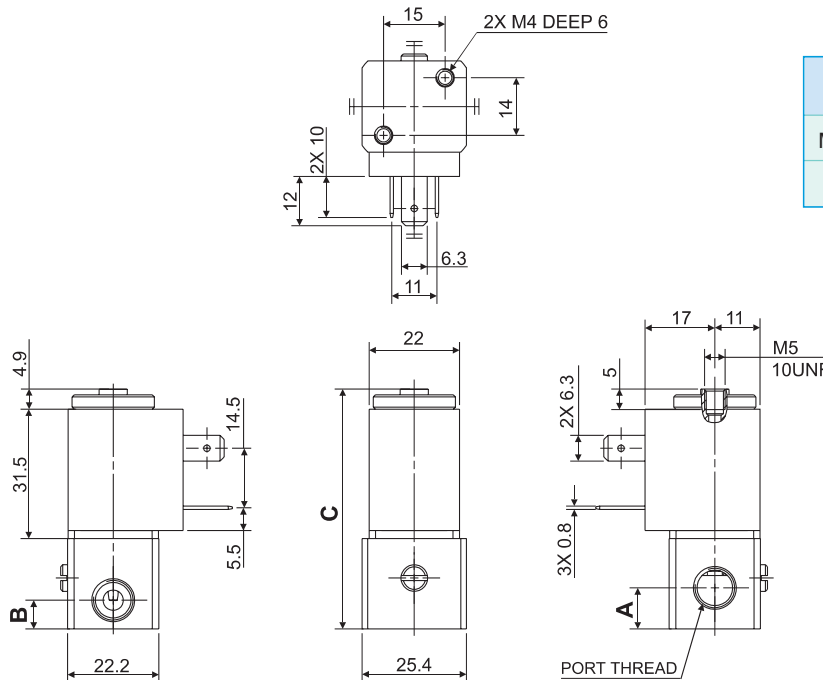
Max. Pressure (Bar) 3W NC Table

Coil Current/Power	Orifice (mm)		
	1	1.2	1.6
AC - 7.5W	15	12	10.5
AC - 4W	12	10	7
DC - 6.5W	15	12	10.5
DC - 3W	12	10	7
Flow factor Kv(L/min)	0.5	0.65	1

Max. Pressure (Bar) 3W NO Table

Coil Current/Power	Orifice (mm)(2)	
	1.2	1.6
AC - 7.5W	12	8
AC - 4W	10	7
DC - 6.5W	12	8
DC - 3W	10	6
Flow factor Kv(L/min)	0.4	0.7

Dimensions



PORT	A	B	C
M5/10 UNF	5.5	4	51.5
1/8	10	7	58.5