



GEVA 80 Pilot Operated 3 /4", 1" 2/2 Way NC, NO

General Description

Geva 80 pilot operated 2/2 way NC, NO solenoid valves are recommended for applications where high flow at high pressure is required.

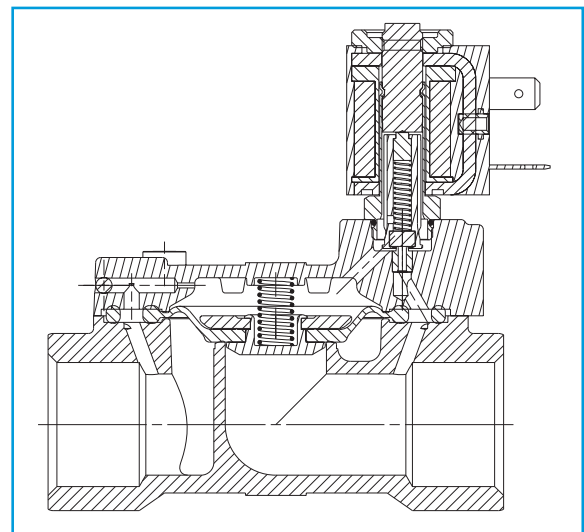
The modular concept of the valve allows many combinations and variations to meet different requirements and fluid compatibility. The design is compact with high flow rates, long life and low maintenance.

The typical applications are: process systems, water or sewage treatment, industrial and irrigation applications, general purpose applications such as oil, gas systems, autoclaves etc.



Notes

- A minimum differential pressure of 0.3 bar is required for operation.
- To order valves manufactured to your specific requirements, please contact our technical sales department.
- Available options:
 - Low power coils
 - Explosion-proof coils
 - A slow closing system to prevent a water hammer effect



How to Order

Example : G80-S-2501N0-311

Is a GEVA 80 pilot operated valve, Brass, 3/4"BSP, 2WNC, NBR seals, without manual override, 24V AC 7.5W 50Hz, with connector.

G80-S	Body	Port	Function	Seals	Manual Override	Voltage	Power	Connector
	Brass 2	3/4 BSP 50 3/4NPT 51 1 BSP 60 1 NPT 61	2W NC 1 2W NO 2a	NBR N Viton V EPDM E	None 0	W/out coil 0 12 2 24 3 110 5 230 7 other 9	No coil 0 AC7.5W50Hz 1 AC6W60Hz 2 DC6.5W 3 AC4W50Hz 4 AC3W60Hz 5 DC3W 7	without 0 with 1 with bi-color 2 LED 3 with LED and surge protection 3



Technical Specifications

Function: 2/2 Way NC, NO
 Ports size: 3/4, 1 BSP & NPT
 Pressure and flow: See table
 Temperature range: Fluid: -10°C to 80°C
 Ambient: -10°C to 50°C

Materials in contact with fluid :

Main valve :

Brass - hot stamping, St.st

Solenoid Operator:

Stainless steel 300 & 00 series

Seals:

Diaphragm: reinforced elastomer

NBR, Viton, EPDM

Other: same elastomer as diaphragm

Media: Air, gas, water, fuel, oil etc

Coil voltage: All Baccara coils voltages ±10%

AC 7.5W DC 6.5W

Protection class IP65 with connector

Valve Specification NC Type

Port Connection	Orifice (mm)	Kv (L/min)	Pressure Range		Weight (gf) *less coil
			AC	DC	
3/4"	20	130	0.3-12	0.3-12	690
1"	25	200	0.5-12	0.5-12	980

Valve Specification NO Type

Port Connection	Orifice (mm)	Kv (L/min)	Pressure Range		Weight (gf) *less coil
			AC	DC	
3/4"	20	130	0.3-10	0.3-10	690
1"	25	200	0.5-10	0.5-10	980

* Coil weight approx. 110(gf), connector approx. 25(gf)

Dimensions

Port Size	A	B	C	D	F	H	L	I	J
3/4" BSP/NPT	90	96.3	32	55	3/4"	17	15	25	103
1" BSP/NPT	100	102.8	38.5	65	1"	21	16	29.5	109.50

