



## GEVA 80 Pilot Operated 1/4", 3/8", 1/2" 2/2 Way NC, NO

### General Description

Geva 80 pilot operated 2/2 way NC, NO solenoid valves are recommended for applications where high flow at high pressure is required. They can be used in control and automation systems.

The typical applications are: industrial furnace, heating equipment, burners, oil and gas, autoclaves, dental equipment, instrumentation, car washers, machine industries and irrigation.



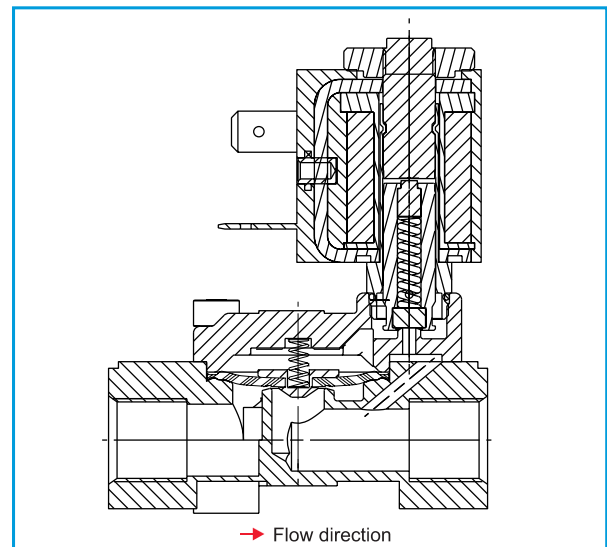
### Notes

- The working pressure is 12 bar.
- A minimum pressure of 0.5 bar is required for operation.
- To order valves manufactured to your specific requirements, please contact our technical sales department.
- Plastic valves are available in 3/8" and 1/2".

### How to Order

**Example : G80-S-2201V0-321**

Is a GEVA 80 pilot operated valve, Brass, 1/4"BSP, 2WNC, Viton seals, without manual override, 24V AC 6W 60Hz, with connector.



G80-S	Body	Port	Function	Seals	Manual Override	Voltage	Power	Connector
	Brass 2 Nylon 4	1/4" BSP 20 3/8" BSP 30 1/2" BSP 40 1/4" NPT 21 3/8" NPT 31 1/2" NPT 41	2W NC 1 2W NO 2	NBR N Viton V EPDM E	None 0	W/out coil 0 12 2 24 3 110 5 230 7 other 9	No coil 0 AC7.5W50Hz 1 AC6W60Hz 2 DC6.5W 3 AC4W50Hz 4 AC3W60Hz 5 DC3W 7	without 0 with 1 with bi-color 2 LED 3 with LED and surge protection 3



## Technical Specifications

Function: 2/2 Way NC, NO  
 Ports size: 1/4, 3/8, 1/2 BSP & NPT  
 Pressure and flow: See table  
 Temperature range: Fluid: max 80°C  
 Ambient: -10°C to 50°C

Materials in contact with fluid :

**Main valve :**

Brass - hot stamping, upon request  
 dezinc brass (Cz132)  
 or Nylon 66

**Solenoid operator:**

Brass and Stainless steel  
 400 series

**Seals:**

NBR, Viton, EPDM

**Electrical specifications**

Standard voltages: 24, 110, 230V AC 12, 24V DC  
 Duty cycle: 100%  
 Variation in voltage: ± 10% nominal voltage

Protection class IP65 with connector

Max. Pressure (Bar) 3W NC Table

Size	Orifice (mm)	Pressure	Kv (L/Min)
1/4"	8	0.5-10	12
3/8"	8		16
3/8", 1/2"	12		35

Size	A	B	C	D	E	F	G	H	J	K
1/4"-3/8"	58	86	22	32	65	1/4"-3/8"BSP/NPT	125	11	M5X0.8	22
3/8"	70	90	27	38	68	1/2" BSP/NPT	135	13.5	M5X0.8*	22*

\* Not available in plastic

## Dimensions

