



GEM-SOL Pilot Operated 3/4", 1" 2/2 Way NC, NO

General Description

GEM-SOL Pilot Operated 2/2 way NC, NO solenoid valves are recommended for applications where high flow at high pressure is required.

The modular concept of the valve allows many combinations and variations to meet different requirements and fluid compatibility. The design is compact with high flow rates, long life and low maintenance.

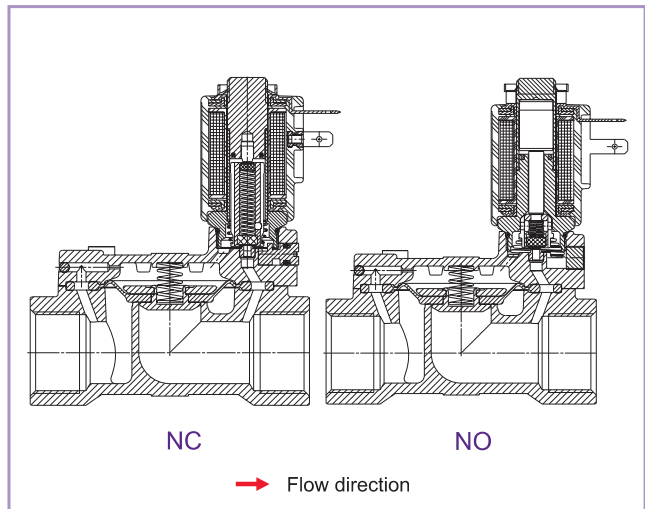
Typical Applications

- Process systems
- Water or sewage treatment
- Industrial and irrigation applications
- General purpose applications, such as oil, gas systems, autoclaves etc.



Notes

- A minimum differential pressure of 0.3 bar is required for operation.
- To order valves manufactured to your specific requirements, please contact our technical sales department.
- Available options:
 - Low power coils
 - Explosion-proof coils
 - A slow closing system to prevent a water hammer effect.



How to Order

Example : GEM-S-2501N2-311

Is a GEM-SOL Pilot operated Brass, 3/4"BSP, 2W NC, NBR seals, slot manual override, 24V AC 8W 50Hz with connector.

GEM-S	Body	Port	Function	Seals	Manual Override	Voltage	Power	Connector
	Brass 2	3/4"BSP 50	2W NC 1	NBR N	None 0	W/out coil 0	No coil 0	without 0
	St.st 3	3/4"NPT 51	2W NO* 2a		Slot 2	6 1	AC8W 50Hz 1	with 1
		1" BSP 60			Knob 3	12 2	AC8W 60Hz 2	with LED 2
		1" NPT 61				24 3	DC10W 3	with bi color LED 3
						48 4		LED 4
						110 5		flying leads coil 4
						120 6		with 1/2" Hub 5
						230 7		
						240 8		
						other 9		

*NO function without manual override



Technical Specifications

Function: 2/2 way NC&NO
Ports size: 3/4", 1" BSP & NPT
Pressure and flow: See table
Temperature range: Fluid: -10°C to 80°C
 Ambient: -15°C to 50°C
Manual Override: NC-Brass screw
 NO-without manual override
Materials in contact with fluid :
Main valve :
 Brass - hot stamping
Solenoid Operator:
 Stainless steel 300 & 400 series
Seals:
Diaphragm: reinforced elastomer
 NBR, Viton or EPDM
Other: same elastomer as diaphragm
Media: Air, gas, water, fuel, oil etc
Coil voltage: All Baccara coils voltages ± 10%
 AC 8W DC 10W

Protection class IP65 with connector

Valve specification NC Type

Port Connection	Orifice (mm)	Kv (L/Min)	Pressure range		Weight (gf) *less coil
			AC	DC	
3/4"	20	130	0.3-15	0.3-15	760
1"	25	200	0.5-15	0.5-15	1050

Valve specification NO Type

Port Connection	Orifice (mm)	Kv (L/Min)	Pressure range		Weight (gf) *less coil
			AC	DC	
3/4"	20	130	0.3-15	0.3-15	760
1"	25	200	0.5-15	0.5-15	1050

* Coil weight approx. 110(gf), connector approx. 25 (gf)

Port Size	A	B	C	D	E	H	L	I	J
3/4" BSP/NPT	90	106	32	55	32	17	15	25	103
1" BSP/NPT	100	112.5	38.5	65	34	21	16	29.5	109.50

Dimensions

