

GEM-SOL Chem-Sol 1/2" 2/2 Way NC

General Description

These GEM-SOL 2/2 way NC Chem-Sol solenoid valves are recommended for use in applications where corrosive fluid must be controlled, such as chemical process, water treatment, analysis device etc.

They can be used for industrial and irrigation control and automation systems.



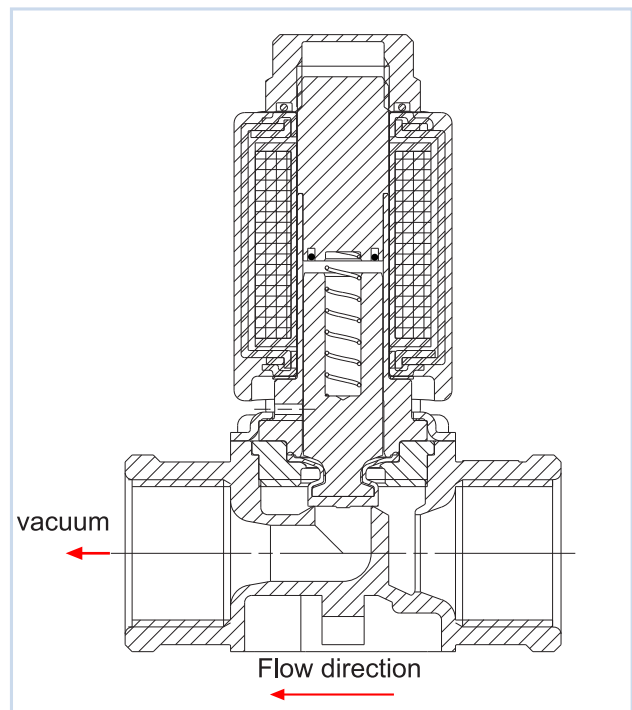
Notes

- Contact our technical department to get details on valve and fluid compatibility.
- To order valves manufactured to your specific requirements, please contact our technical department.
- Specify if application is pressure or vacuum.
- All valves are assembled with seal coil nut, lower coil gasket and impregnated coil.

How to Order

Example : GEM-C-4011V-321

Is a GEM-SOL Chem-Sol, 1/2" BSP, 2WNC for vacuum, Viton seals, 24V AC 8W 60 Hz with connector.



Note: When ordering without coil, please define what current and pressure rating is needed (DC or AC).

GEM-C	Port	Function	Pressure	Seals	Voltage	Power	Connector
	1/2" BSP 40	2W NC 1	Vacuum 1	Viton V	W/out coil 0	No coil 0	without 0
	1/2" NPT 41		Pressure 2	EPDM E	6 1	AC8W 50Hz 1	with 1
					12 2	AC8W 60Hz 2	with LED 2
					24 3	DC10W 3	with bi color LED 3
					48 4	AC5.5W50Hz 4	flying leads 4
					110 5	AC5.5W60Hz 5	coil 5
					120 6		with 1/2" Hub 5
					230 7		surge protection 6
					240 8		with LED 6
					other 9		other 9