

GEM-SOL Chem-Sol 1/4" 2/2 Way NC, NO

General Description

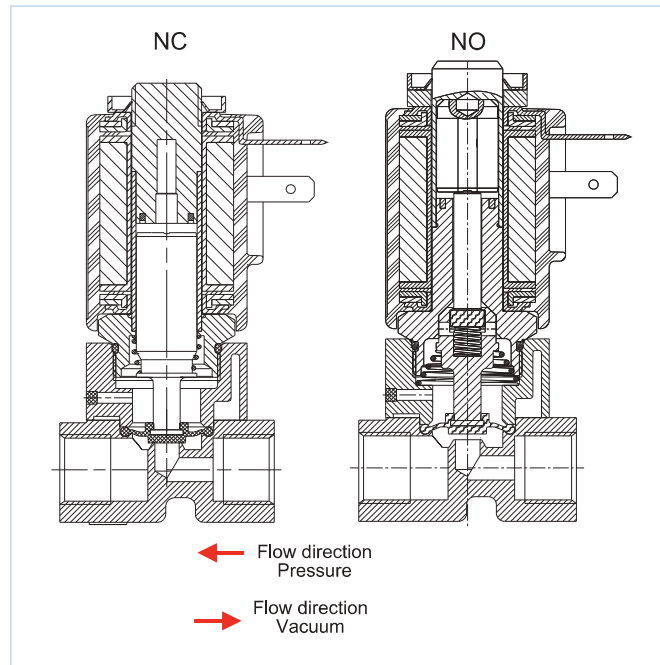
These GEM-SOL 2/2 way NC, NO Chem-Sol solenoid valves are recommended for use in applications where corrosive fluid must be controlled, such as chemical process, water treatment, analysis device etc.

They can be used for industrial and irrigation control and automation systems.



Notes

- Contact our technical department to get details on valve and fluid compatibility.
- To order valves manufactured to your specific requirements, please contact our technical department.
- ADC valves are suitable to work only with AC 8W or DC 10W coils.



How to Order

Example : GEM-C-12012V1-321

Is a GEM-SOL Chem-Sol, 1/4"BSP, 2W NC, Pressure, Viton, plastic manual override, 24V AC 8W 60Hz with connector.

Note: When ordering without coil, please define what current and pressure rating is needed (DC, AC or ADC). When this information is not defined, an ADC valve will be supplied.

GEM-C	Body	Port	Function	Pressure	Seals	Manual ⁽¹⁾ Override	Voltage	Power	Connector
	PPA 1	1/4"BSP 20 1/4"NPT 21	2W NC 1 2W NO 2	Vacuum 1 Pressure 2	Viton V EPDM E Silicone S	None 0 Plastic 1	W/out coil 0 6 1 12 2 24 3 48 4 110 5 120 6 230 7 240 8 other 9	No coil 0 AC8W 50Hz 1 DC10W 3 AC5.5W 50Hz 4 AC5.5W 60Hz 5 DC 5.5W 7	without 0 with 1 with LED 2 with bi color LED 3 flying leads coil 4 with 1/2" Hub 5 surge protection with LED 6 other 9

(1) NO - without manual override



Technical Specifications

Functions:	2/2 Way NC or NO
Ports size:	1/4" BSP & NPT
Orifice:	4.5mm
Kv:	5 L/min
Pressure range:	See table
Temperature range:	Fluid: -15° C to max 90° C Ambient: -10° C to 50° C
Manual Override:	NC: Plastic. NO: Without manual override
Materials in contact with fluid:	Main valve : Reinforced PPA Diaphragm: Viton, EPDM, Silicone
Weight (with coil):	200 gr
Coil voltage:	All Baccara coils voltages \pm 10% AC 8W, 5.5W DC 10W, 5.5W Protection class IP65 with plug attached

Pressure Table - NC

Coil	Flow direction not restricted	Flow direction restricted
ADC	0-2 bar	0-0.5bar
AC 8W	0-2.5 bar	0-0.7 bar
AC 5.5W	0-2 bar	0-0.5 bar
DC 5.5W	0-1.5 bar	0-0.4 bar

Vacuum Table - NC

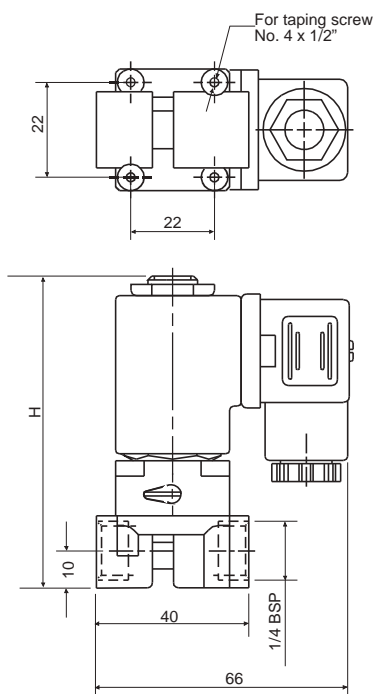
Coil	Flow direction not restricted	minimum Δp
ADC	-1 to 2 bar	1 bar
AC 5.5W	-1 to 2 bar	
DC 5.5W	-1 to 1.5 bar	

Pressure Table - NO

Coil and power rating	Flow direction not restricted	Flow direction restricted (1)
ADC AC 8w or DC 10W	0 - 1 bar	0 - 0.5 bar
5.5W AC/DC	0 - 1 bar	0 - 0.5 bar

(1) Higher input pressure of up to 1atm can be achieved with minimal pressure drop on the valve of 0.3 atm.

Dimensions



Notes

Type	Valve Description	H
NC	GEM-C-12 □ 1....	81
NO	GEM-C-12 □ 2....	84.5

