

GEVA 75 Inline valve 1" Electrical and Hydraulic pressure reducing

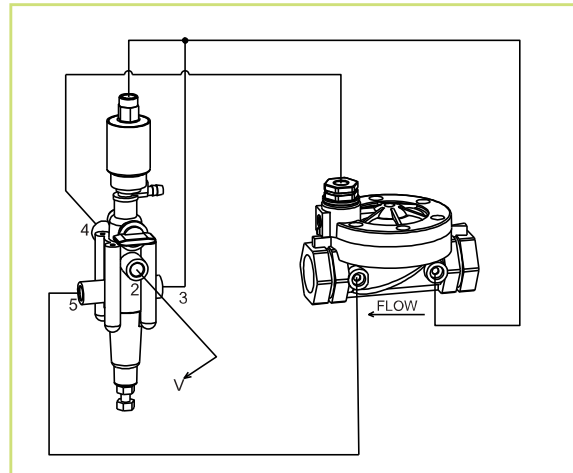
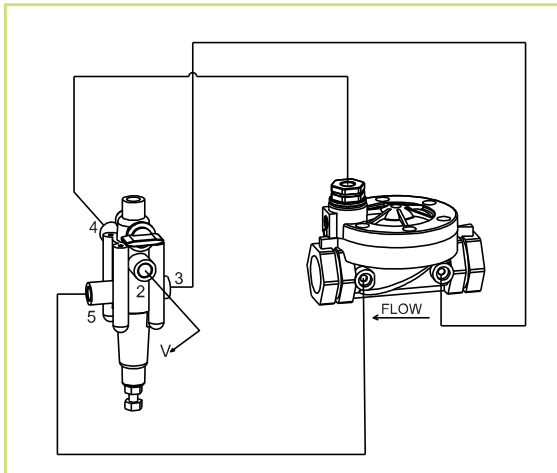
General Description

GEVA 75 1" control valves provide high hydraulic performances in fluid control. These valves, together with the XR100 3 way pressure reducing, provide compact, efficient and accurate high flow pressure reducers.



Notes

- Supplied assembled with a solenoid and accessories.
- A finger filter has been installed at the pilot pressure supply. Clean when necessary.
- The XR100 has a three positions manual override:
AUTO: for automatic operation (valve is open when solenoid is energized)
MANUAL: valve is kept open
CLOSE: valve is kept closed.
- A minimum pressure differential of 1 bar is required.



How to Order

Example : G75 - PR - 60161

Is a GEVA 75 1" BSP electric pressure reducing valve 2WNC without flow control, with a 24 VAC solenoid.

G75-PR		Port	Function	Flow control	Voltage	
1"BSPT	60	2WNC	1	without	6	
1"NPT	61					
					without	0
					24V AC	1
					9-12VDC Latch	2
					12V AC	3
					12V DC	4
					24V DC	5