

GEVA 75 Inline Electric and Hydraulic Valve 3/4", 1" 2/2 Way, NC

General Description

GEVA 75 control valves, 3/4" and 1", provide high hydraulic performances in fluid control.

Both the efficient design and the advanced technology plastics they are made of, make the valves strong, with very low maintenance.

Notes

- Made from synthetic elastomers, Stainless steel and plastics resistant to corrosion.
- They work in a wide range of pressures.
- Manual override in all the valves with internal draining.
- Progressive opening and shut off that prevents water hammer.
- Very low head loss with high flows.
- Easy maintenance. Total access to the internal parts from the cover of the valve.
- Wide range of possibilities such as electric valves, pressure regulating etc.



Solenoid only for demonstration



Applications

- Electric remote control
- Farm and gardening irrigation
- Advanced computerized irrigation
- Level control
- Filtration systems
- Fertilization systems
- Environmental control

How to Order

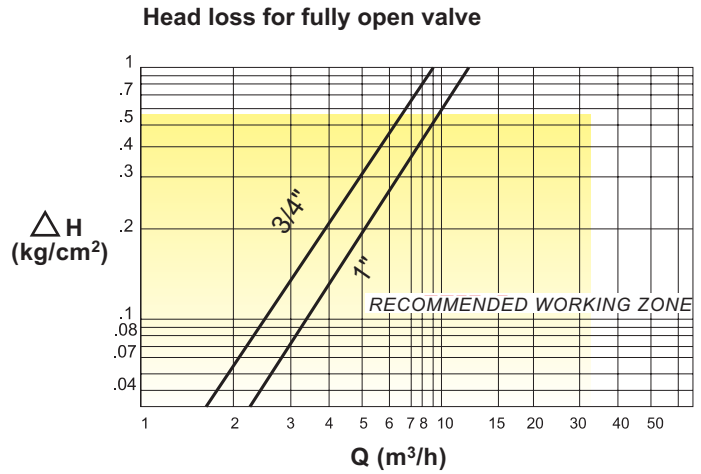
Example : G75 - S - 50151

Is a GEVA 75 3/4" BSPT inline electric hydraulic valve, 2WNC, with flow control, 24V AC.

G75-S	Port	Function	Flow control	Voltage
	3/4" BSP 50	2WNC 1	with 5	No coil hydraulic 0
	1" BSPT 60		without 6	24VAC 1
	3/4" NPT 51			9-12VDC Latch 2
	1" NPT 61			12VAC 3
				12VDC 4
				24VDC 5
				24VDC Latch 6
				110VAC 7

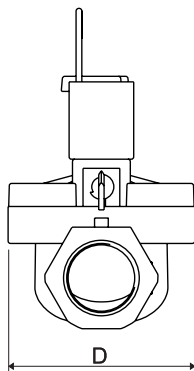
Technical Specifications

Size: 3/4" and 1"
Connection: Female BSPT or NPT thread
Pressure range: 0.3 - 10Kg/cm²
Max.Fluid Temp: 50°
Solenoid: Geva 75
 2WNC solenoids, all voltages
Materials: **Body & Cover:** Reinforced Nylon
Spring : AISI 302
Diaphragm: PVC
Seals: Buna - N
Screws: AISI 304

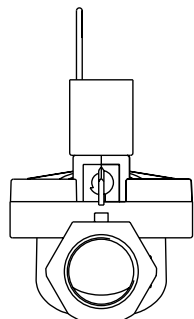
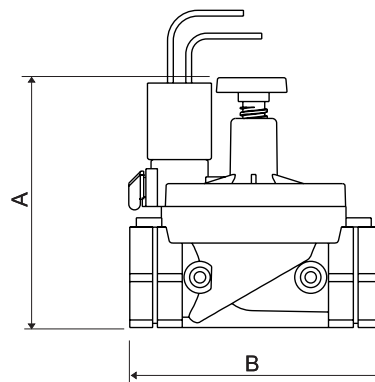


Dimensions

Size	A	B	C	D	Weight
3/4"	105	110	105	81	230g
1"	112	110	112	81	230g



With flow control



Without flow control

