

GEVA 75 Inline Hydraulic NO Valve 1-1/2", 2" External solenoid 3W NC

General Description

GEVA 75 control valves, 1-1/2" and 2" provide high hydraulic performances in fluid control. Both the efficient design and the sophisticated plastics they are made of, make the GEVA 75 valves strong, with very low maintenance.

Notes

- Supplied without solenoid and accessories.
- The valve is identical to 2W NC valve, 2W NO function is a result of the solenoid.



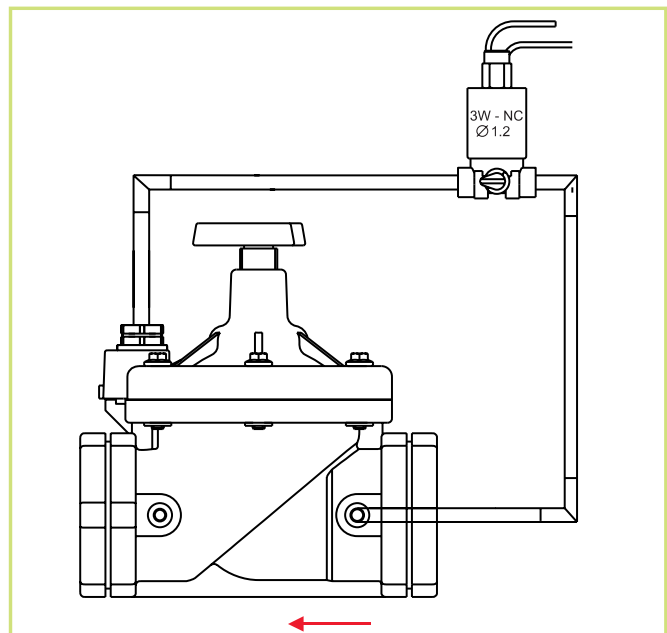
Applications

- Electric remote control
- Farm and gardening irrigation
- Advanced computerized irrigation
- Level control
- Filtration systems
- Fertilization systems
- Environmental control

How to Order

Example : G75 - S - 70150

Is a GEVA 75 1-1/2"BSP inline hydraulic valve, 2WNC with flow control.



G75-S	Port	Function	Flow control	Voltage
	1-1/2"BSP 70	2WNC 1	with 5	No coil 0
	1-1/2"NPT 71			hydraulic
	2" BSP 80			
	2" NPT 81			

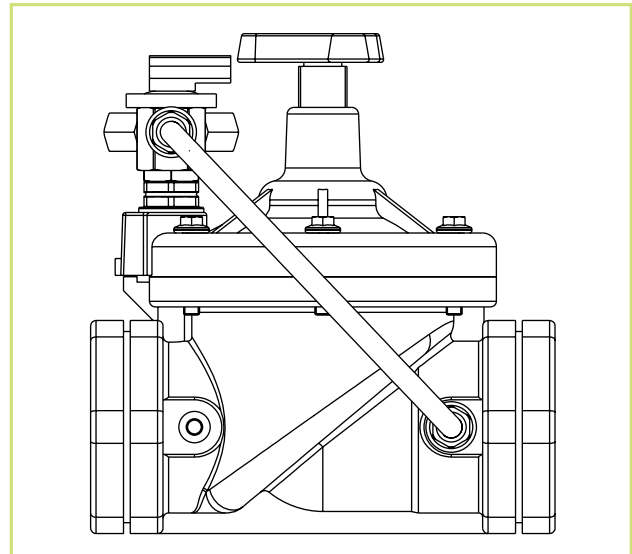
GEVA 75 Inline Hydraulic NC valve 1-1/2", 2" Manual selector

General Description

GEVA 75 control valves, 1-1/2" and 2" provide high hydraulic performances in fluid control. Both the efficient design and the sophisticated plastics they are made of, make the GEVA 75 valves strong, with very low maintenance.

Applications

- Electric remote control
- Farm and gardening irrigation
- Advanced computerized irrigation
- Level control
- Filtration systems
- Fertilization systems
- Environmental control



How to Order

Example : G75 - SM - 70150

Is a GEVA 75 1-1/2" BSP inline hydraulic valve 2WNC with flow control and a manual selector.

G75-SM	Port	Function	Flow control	Voltage
	1-1/2"BSPT 70	2WNC 1	with 5	No coil hydraulic 0
	1-1/2"NPT 71			
	2" BSPT 80			
	2" NPT 81			

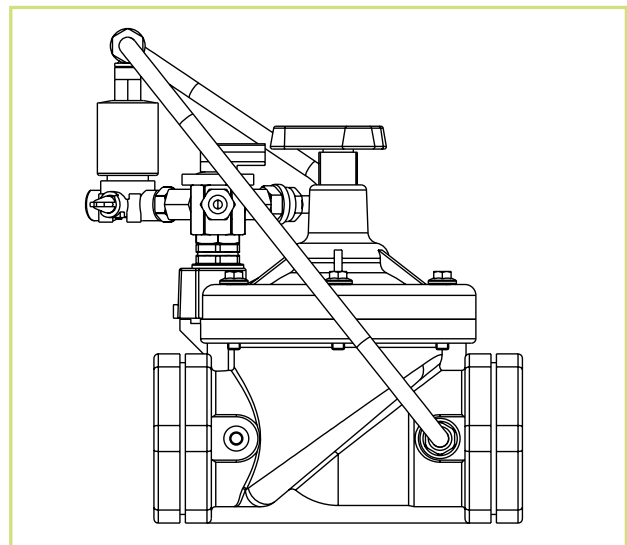
GEVA 75 Inline Hydraulic NC valve 1-1/2", 2" External solenoid 3W NO and a Manual selector

General Description

GEVA 75 control valves, 1-1/2" and 2" provide high hydraulic performances in fluid control. Both the efficient design and the sophisticated plastics they are made of, make the GEVA 75 valves strong, with very low maintenance.

Applications

- Electric remote control
- Farm and gardening irrigation
- Advanced computerized irrigation
- Level control
- Filtration systems
- Fertilization systems
- Environmental control



How to Order

Example : G75 - SM - 70150

Is a GEVA 75 1-1/2"BSP inline hydraulic valve 2WNC with flow control and a manual selector.

G75-SM	Port	Function	Flow control	Voltage
	1-1/2"BSPT 70	2WNC 1	with 5	No coil 0
	1-1/2"NPT 71			hydraulic
	2" BSPT 80			
	2" NPT 81			

GEVA 75 Inline Hydraulic NC valve 3/4", 1", 1-1/2", 2" Pressure relief

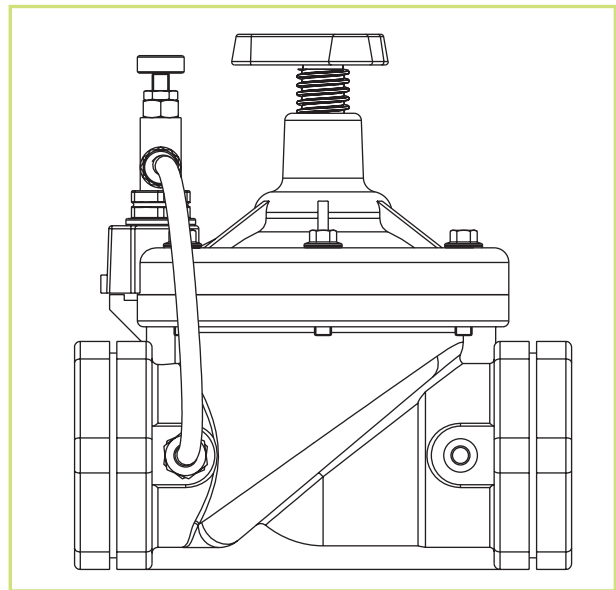
General Description

GEVA 75 control valves, 1-1/2" and 2" provide high hydraulic performances in fluid control.

Both the efficient design and the sophisticated plastics they are made of, make the GEVA 75 valves strong, with very low maintenance.

Applications

- Electric remote control
- Farm and gardening irrigation
- Advanced computerized irrigation
- Level control
- Filtration systems
- Fertilization systems
- Environmental control



How to Order

Example : G75 - SR - 701503

Is a GEVA 75 1-1/2"BSP inline hydraulic valve 2WNC with flow control set to 3-6 bar.

G75-SR	Port	Function	Flow control	Voltage	Set pressure (bar)
	3/4" BSPT 50	2WNC 1	with 5	No coil 0	1-3 1
	3/4" NPT 51		without 6	hydraulic	2-5 2
	1" BSPT 60				3-6 3
	1" NPT 61				4-7 4
	1-1/2" BSPT 70				
	1-1/2" NPT 71				
	2" BSPT 80				
	2" NPT 81				

GEVA 75 Inline valve 1-1/2", 2" electrical and hydraulic pressure reducing

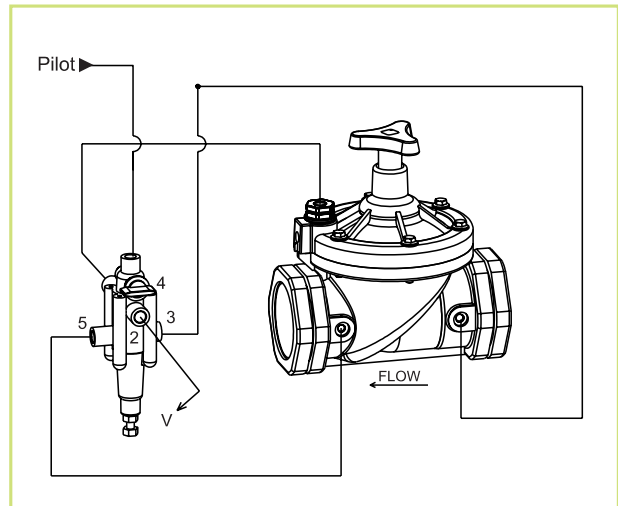
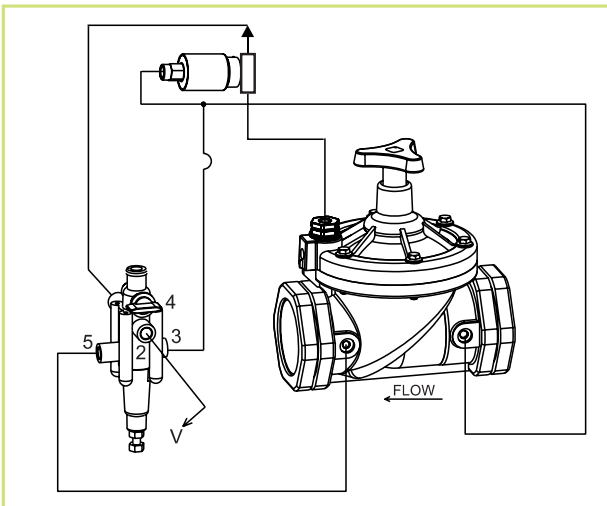
General Description

GEVA 75 control valves, 1-1/2" and 2" provide high hydraulic performances in fluid control.

These valves, together with the XR100 3 way pressure reducing, provide compact, efficient and accurate high flow pressure reducers.

Notes

- Supplied assembled with a solenoid and accessories.
- A finger filter has been installed at the pilot pressure supply. Clean when necessary.
- The XR100 has a three positions manual override:
AUTO: for automatic operation (valve is open when solenoid is energized)
MANUAL: valve is kept open
CLOSE: valve is kept closed.
- Pilot pressure must be equal or higher to line pressure.



How to Order

Example : G75 - PR - 70151

Is a GEVA 75 1-1/2"BSP electric pressure reducing valve 2WNC with flow control, with a 24 VAC solenoid.

G75-PR	Port	Function	Flow control	Voltage
	1-1/2"BSPT 70	2WNC 1	with 5	without 0
	1-1/2"NPT 71			24V AC 1
	2" BSPT 80			9-12VDC Latch 2
	2" NPT 81			12V AC 3
				12V DC 4
				24V DC 5