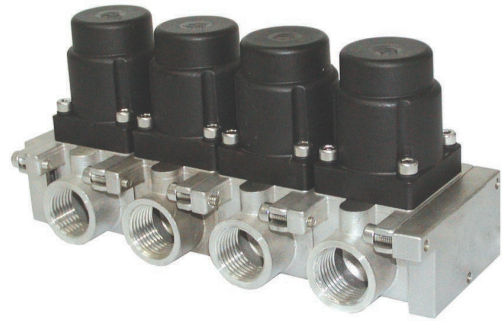


Globe Cylinder Operated Stackable Manifold 1/4", 3/8", 1/2", 3/4", 1" 2/2 Way NC/NO

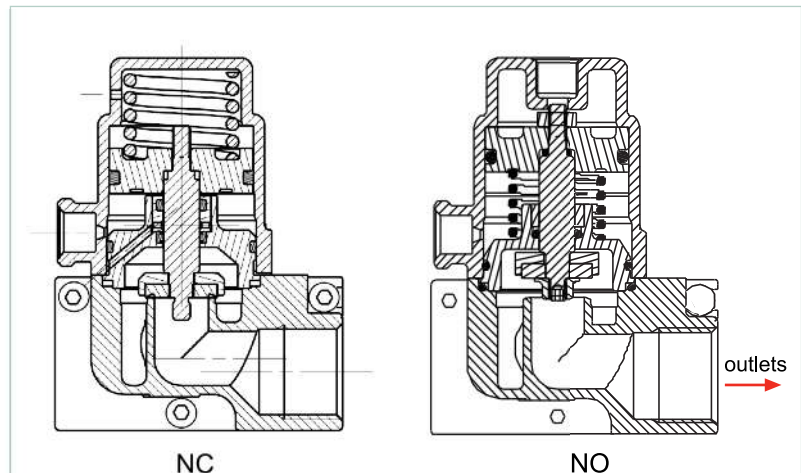
General Description

GC Globe Cylinder operated stackable manifold 2/2 way NC/NO valves are recommended for applications where high flow is required. They can be used in control and automation systems at vacuum or pressure. Typical applications are irrigation and industrial air, water and vacuum systems.



Notes

- Minimum pilot pressure 3 bar.
- See graph of pilot pressure vs. line pressure.
- To order valves manufactured to your specific requirements, please contact our technical sales department.



How to Order

Example : GC-SM-02260-1N

Is a GC Globe cylinder operated stackable,
2 station, brass body, 1" BSP, 2WNC, NBR seals.

GC-SM	No.of stations	Body	Port	Function	Seals
	specify quantity				
		Brass 2	1/4" BSP 20	2W NC 1	NBR N
		St.st 3	1/4" NPT 21	2W NC 1a	EPDM E
			3/8" BSP 30	bidirectional	Viton V
			3/8" NPT 31	2W NO 2	
			1/2" BSP 40		
			1/2" NPT 41		
			3/4" BSP 50		
			3/4" NPT 51		
			1" BSP 60		
			1" NPT 61		