

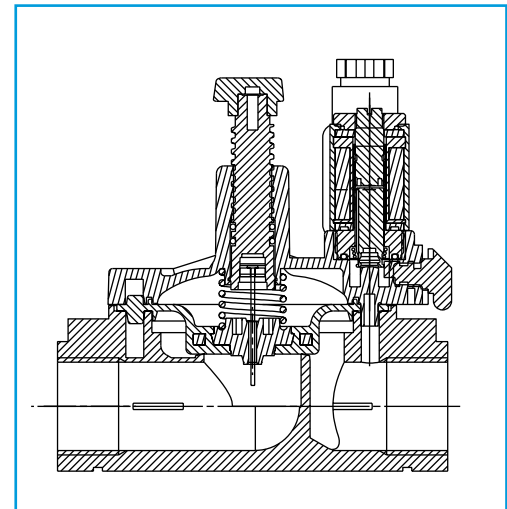
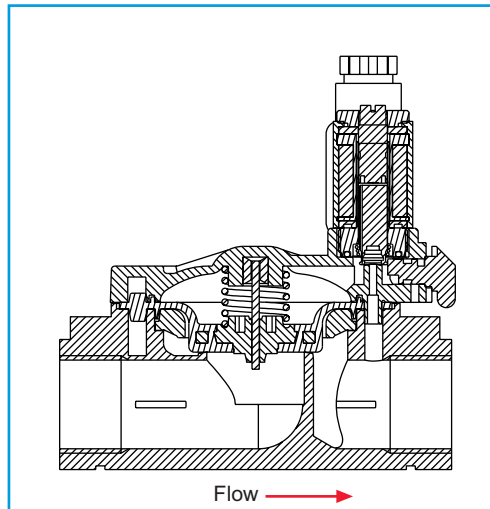
## GEVA 80 Inline Pilot Operated 3/4", 1", 1-1/2", 2" 2/2 Way NC, NO

### General Description

Geva 80 pilot operated valves, 3/4", 1", 1-1/2" and 2" provide h hydraulic performances in fluid control. Both the efficient design and the advanced technology plastics they are made of, make the valves strong with very low maintenance.

### Notes

- Manual override in all the valves with internal draining.
- Progressive opening and shut off that prevents water hammer.
- Very low head loss with high flows.
- Wide range of possibilities such as electric valves, pressure regulating etc.
- To order valves manufactured to your specific requirements, please contact our technical sales department.



### How to Order

Example : G80-S-501P5-331

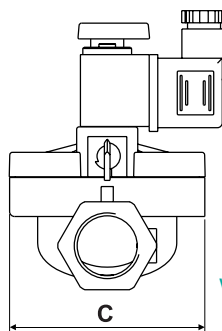
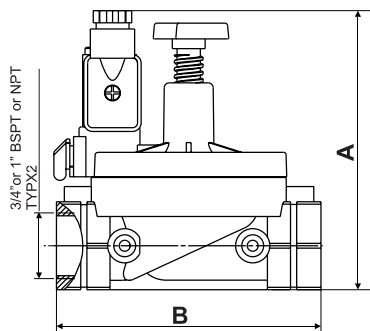
Is a GEVA 80 3/4" BSPT pilot operated valve, 2WNC, PVC seals, with flow control, 24V DC 6.5W with connector.

G80-S	Port	Function	Seals	Flow control	Voltage	Power	Connector
	3/4"BSPT 50	2WNC 1	PVC P	with 5	12 2	AC7.5W50Hz 1	without 0
	1"BSPT 60	2WNO 2		without 6	24 3	AC6W 60Hz 2	with 1
	3/4"NPT 51				110 5	DC 6.5W 3	with bi color LED 2
	1"NPT 61				230 8	AC4W50Hz 4	with LED & surge protection 3
	1-1/2"BSP 70					AC3W60Hz 5	
	1-1/2"NPT 71					DC3W 7	
	2"BSP 80						
	2"NPT 81						

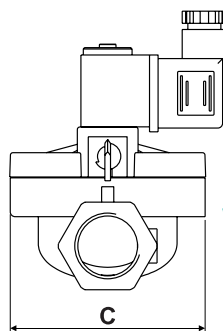
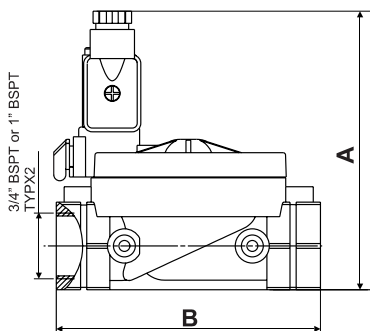
## Technical Specifications

Function:	3/4", 1", 1-1/2", 2"
Connection:	Female BSPT or NPT thread
Pressure range:	0.3 - 10Kg./cm <sup>2</sup>
Max. Fluid Temp:	50 °C
Solenoid:	Geva 80 2WNC or 2WNO solenoids all voltages
Materials:	<b>Body &amp; Cover:</b> Reinforced Nylon <b>Spring:</b> AISI 302 <b>Diaphragm:</b> PVC <b>Seals:</b> NBR, EPDM <b>Screws:</b> AISI 304 <b>Solenoid:</b> Brass and St.st

## Dimensions



with flow control



without flow control

Size	A	B	C
3/4"	108	110	81
1"	114	110	81
1-1/2"	180	160	126
2	190	170	126