

GEM-SOL Zero Differential Pressure 1/4", 3/8", 1/2" 2/2 Way NC, NO

General Description

GEM-SOL Zero differential pressure 2/2 way NC and NO solenoid valves are recommended for heavy duty applications where high flow is required.

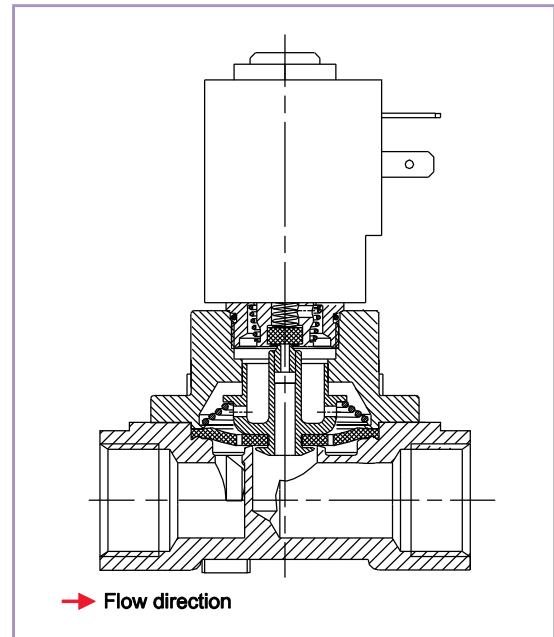
They can be operated with differential pressure up to 14 bar.

The valves' main advantage is in applications where the pressure values can vary from a very low pressure to a few bars and where high flow is needed.



Notes

- Maximum pressure for use at nominal voltage +10%. For further information, please consult our engineers.
- When switching from an AC coil to a DC coil, the solenoid operator must be changed too.



How to Order

Example : GEM-Z-2401N-221

Is a GEM-SOL Zero differential, Brass, 1/2" BSP, 2WNC, NBR, 12V AC 8W 60Hz with connector.

GEM-Z	Body	Port	Function	Seals	Voltage	Power	Connector
	Brass 2	1/4"BSP 20	2W NC 1	NBR N	W/out coil 0	No coil 0	without 0
	St.st. 3	1/4"NPT 21	2W NO 2	VITON V	6 1	AC8W 50Hz 1	with 1
	Nylon * 4	3/8"BSP 30		EPDM E	12 2	AC8W 60Hz 2	with LED 2
		3/8"NPT 31			24 3	DC10W 3	with bi color LED 3
		1/2"BSP 40			48 4	Latch 4	with bi color LED 3
		1/2"NPT 41			110 5		flying leads 4
					120 6		coil 4
					230 7		with 1/2" Hub 5
					240 8		
					other 9		

* 3/8" & 1/2" only



Technical Specifications

Function:	2/2 Way NC and NO
Ports size:	1/4", 3/8", 1/2" BSP & NPT
Pressure and flow:	See table
Temperature range:	Fluid: 80°C max. Ambient: -10°C to 50°C
Materials:	Main valve: Brass, St.st or Nylon Solenoid operator: Stainless steel 300&400 series Seals: NBR, Viton, EPDM
Media:	Air, Inert gas, water
Coil Voltage:	All Baccara coils voltages +10% AC 8W, DC 10W

Protection class IP65 with connector

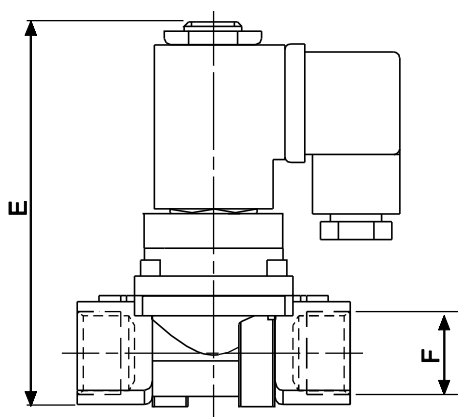
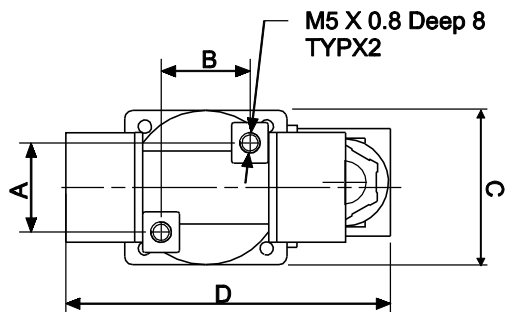
Pressure and flow table NC

Size	Orifice (mm)	Pressure		Kv(L/Min)
		AC	DC	
1/4"	8	0-14	0-7	18
1/2",3/8"	12	0-14	0-8	50

Pressure and flow table NO

Size	Orifice (mm)	Pressure		Kv(L/Min)
		AC	DC	
1/4"	8	0-8	0-8	18
1/2",3/8"	12	0-8	0-8	50

Dimensions



Size	A	B	C	D	E	F	Weight with coil
1/4"	22	22	32	58	89	1/4" BSP/NPT	415g
3/8"	22	22	38	70	95	3/8" BSP/NPT	530g
1/2"	22	22	38	70	95	1/2" BSP/NPT	530g