

GEM-SOL Zero Differential Pressure 3/4", 1" 2/2 Way NC

General Description

GEM-SOL Zero differential pressure 2/2 way NC solenoid valves are recommended for heavy duty applications where high flow is required.

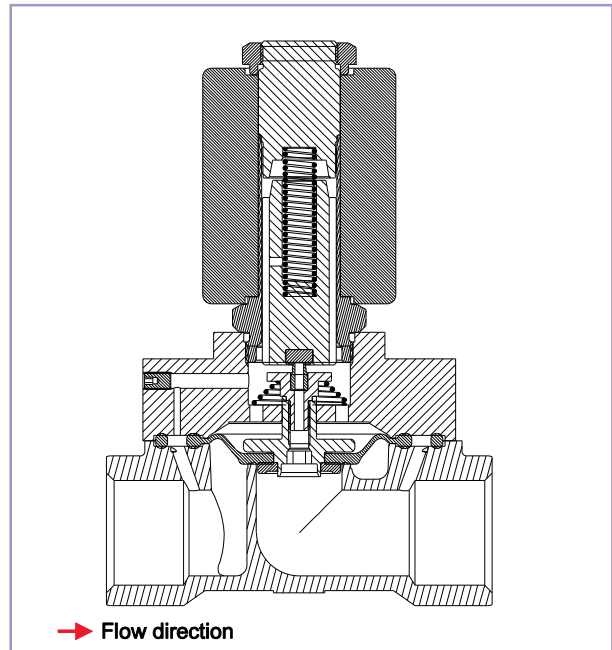
They can be operated with differential pressure up to 14 bar.

The valves' main advantage is in applications where the pressure values can vary from a very low pressure to a few bars and where high flow is needed.



Notes

- Maximum pressure for use at nominal voltage +10%. For further information, please consult our engineers.
- When switching from an AC coil to a DC coil, the solenoid operator must be changed too.



How to Order

Example : **GEM-Z-2601N-231**

Is a GEM-SOL Zero differential, Brass, 1" BSP, 2WNC, NBR, 12V DC 36W with connector.

GEM-Z	Body	Port	Function	Seals	Voltage	Power	Connector
	Brass 2	3/4"BSP 50 3/4"NPT 51 1" BSP 60 1" NPT 61	2W NC 1	NBR N VITON V EPDM E	W/out coil 0 12 2 24 3 230 7	No coil 0 AC40W 50Hz 1 DC36W 3	without 0 with 1 with LED 2 with bi color LED 3 flying leads 4 coil with 1/2" Hub 5



Technical Specifications

Function:	2/2 Way NC
Ports size:	3/4", 1" BSP & NPT
Pressure and flow:	See table
Temperature range:	Fluid: 80°C max. Ambient: -10°C to 50°C
Materials:	Main valve: Brass Solenoid operator: Stainless steel 300&400 series Seals: NBR, Viton, EPDM
Media:	Air, Inert gas, water
Coil Voltage:	All Baccara coils voltages +10% AC 40W, DC 36W

Protection class IP65 with connector

Pressure and flow table NC

Size	Orifice (mm)	Pressure		Kv(L/Min)
		AC	DC	
3/4"	20	0-14	0-10	125
1"	25	0-14	0-10	180

Dimensions

Size	A	B	C	D	E	F	G
3/4"	90	131.8	55	87.2	17	3/4" BSP/NPT	49
1"	100	141.9	65	92.2	21	1" BSP/NPT	59.7

