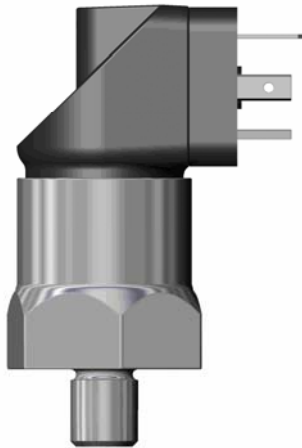


## PSA Field Adjustable pressure switch with fixed differential

### General Description

The PDA is a inline field adjustable pressure switch, which ranges from 0.2 Bar (3PSI) to 10 Bar(150PSI) depending on a combination of spring rate and actuator area. Refer sales office for further information.

The PSA switch is constructed so the switch pressure can be adjusted without removing the electrical connection.



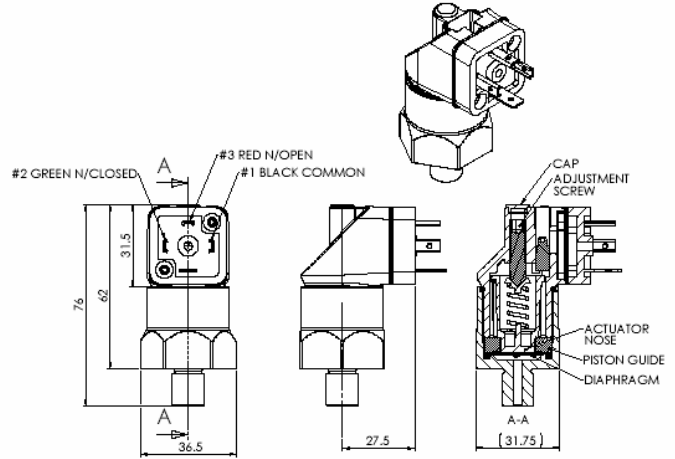
Australia Made

### PSA Switch

### How to Order:

#### PSA 2 - 4G - C - HC

This is model PSA range 2 with 1/4 BSP male connector change-over contacts and din connector.



### Notes

1. Differential range from 10% to 20% of full set point range.
2. PSA over pressure to 35 Bar (500PSI)
3. All switches are CE compliant.
4. Can be supplied with Gold Contacts for use with PLCs or where ( less than 12 volts and 20 milliamp ) switching is required.
5. The rate of pressure rise, especially in press type applications can adversely effect the switch life cycle expectancy. In this type of application it is recommended that a snubber be fitted.
6. VITON has a much reduced mechanical life.

PSA	2	>	4G	>	C	>	HC	>		
Model	Range		Medium Connection		Switch		Electrical Connections		Options	
PSA	2 = 5 — 50 Psi 3 = 40—150 Psi		4G = 1/4 BSP male 4M = 1/4 NPT male Other threads on request		C = Change-over		HC = DIN 43650A cable connection HN = DIN 43650A 1/2 Conduit (female)		1 = VITON 2 = EPDM 3 = 316 SS 7 = Gold Contacts	
			Other port thread sizes and options available on request							