

## PSHA Field Adjustable pressure switch with fixed differential



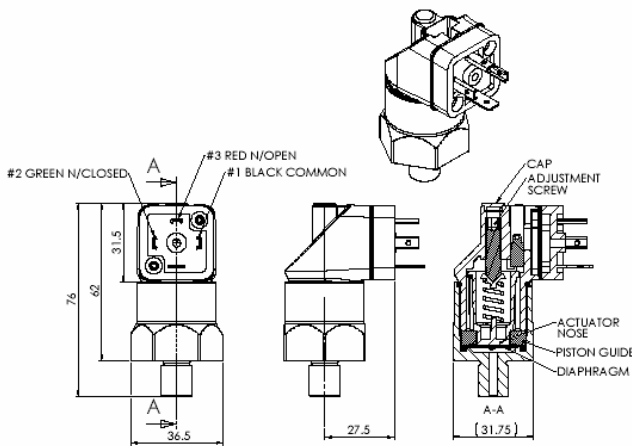
### General Description

The PDAH is a inline field adjustable pressure switch, which ranges from 0.7 Bar (10PSI) to 350 Bar (5000PSI) depending on a combination of spring rate and actuator area. Refer to table opposite for further information.

A proven elastomer 'cushion' support diaphragm is used on all switches where system pressure exceeds 35 Bar (500PSI) this is a proven concept which prevents any extrusion of the elastomer diaphragm even at pressures up to 545 Bar (8000PSI).

### Notes

1. Differential from 10% to 20% of full set range.
2. Over pressure to 600 Bar (9000PSI).
3. All switches are CE compliant.
4. Can be supplied with Gold Contacts for use with PLCs or where ( less than 12volts and 20 milliamp ) switching is required.
5. The rate of pressure rise, especially in press type applications can adversely effect the switch life cycle expectancy. In this type of application it is recommended that a snubber be fitted.
6. VITON has a much reduced mechanical life.



### How to Order:

#### PSHA 2 - 4G - C - HC - 2

This is model PSHA range 2 with 1/4 BSP Male connection change-over contacts and din connector. Option 2 = EPDM seals

PDAH	2	>	4G	>	C	>	HC	>	2
Model	Range		Medium Connection		Switch		Electrical Connections		Options
PSHA	2 = 30 — 300 Psi 3 = 150— 1650 Psi 4 = 900— 3500 Psi		4G = 1/4 BSP Male 4M = 1/4 NPT male		C = Change-over		HC = Din 43650A cable connection HN = Din 43650A 1/2 Conduit (female)		1 = VITON 2 = EPDM 3 = St St 7 = Gold Contacts R = restrictor
Other port thread sizes and options available on request									

note : 1 Bar = 15 PSI