

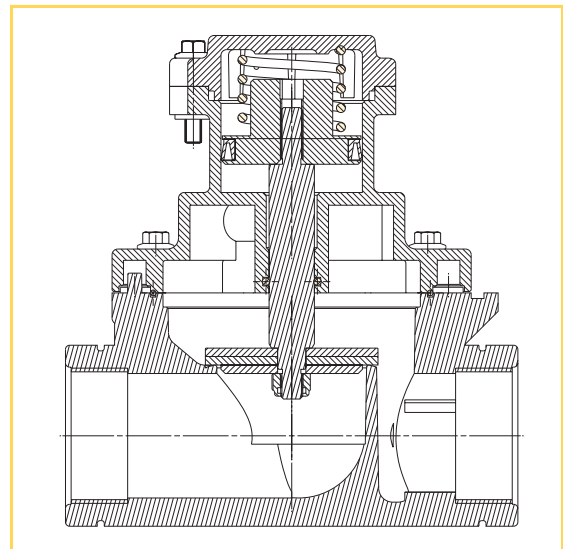
Globe Cylinder Operated 3/4", 1", 1-1/2", 2" 2/2 Way NC

General Description

GC Globe Cylinder operated 2/2 way NC valves are recommended for applications where high flow is required. They can be used in control and automation systems at vacuum or pressure. Typical applications are irrigation and industrial air, water and vacuum systems.

Notes

- Minimum pilot pressure 3 bar.
- See graph of pilot pressure vs. line pressure.
- To order valves manufactured to your specific requirements, please contact our technical sales department.



How to Order

Example : GC-4160-1N

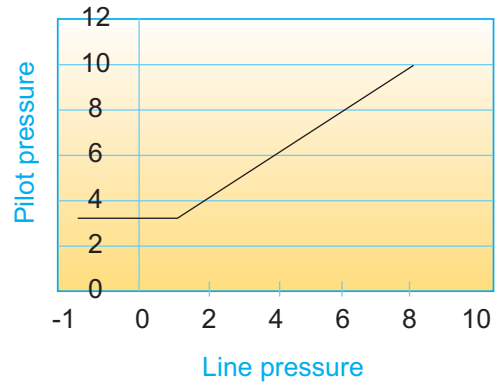
Is a GC Globe cylinder with nylon body, 1" BSP 2WNC with NBR seals.

GC	Body	Type	Port	Function	Seals
	Nylon 4	Globe 1	3/4" BSP 50 3/4" NPT 51 1" BSP 60 1" NPT 61 1-1/2" BSP 70 1-1/2" NPT 71 2" BSP 80 2" NPT 81	2W NC 1	NBR N EPDM E VITON V PVC P

Technical Specifications

Functions: 2/2 Way NC
Ports size: 3/4", 1", 1-1/2" BSP & NPT
Pressure and flow: See table
Temperature range: Fluid: max 60°C
 Ambient: -10°C to 50°C
Materials in contact with fluid :
Main valve :
 Reinforced Nylon 6, St.st 303
Diaphragm:
 NBR, Viton, EPDM or PVC

Size	Orifice (mm)	Line Pressure
3/4", 1"	27	Vacuum-10 Bar
1-1/2", 2"	55	Vacuum-10 Bar



Size	A	B	C	BSP/NPT	
				D	E
3/4"	109	99	80	3/4"	M5/10-32UNF
1"	110	108	81	1"	M5/10-32UNF
1-1/2"	160	174	127	1-1/2"	1/8" BSP/NPT
2"	170	185	127	2"	1/8" BSP/NPT

Dimensions

