

GEVA 75 Hydraulic Relay 3/2 Way

General Description

GEVA 75 Hydraulic Relay 3/2 Way was specially designed to control medium and large valves. Although being compact, the relay enables large flow pass. In order to overcome hydrostatic pressure caused by geographical altitude differences, a mechanism with various springs is available.

Notes

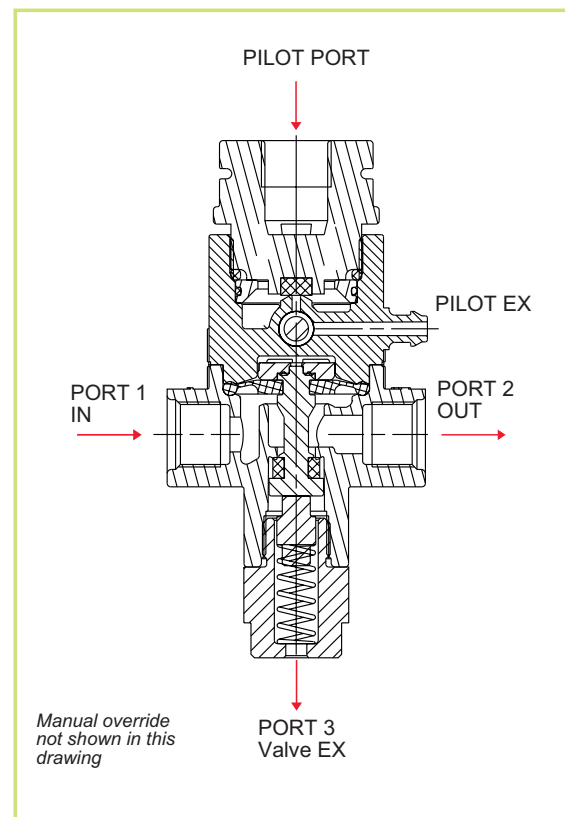
- Minimum pilot pressure of 1.5 bar is required.
- Use graph to select compensation spring.
- To order valves manufactured to your specific requirements, please consult our technical sales department.

How to Order

Example : G75 - H - 1010

Is a GEVA 75 Hydraulic Relay 1/8" BSP, with a 10m compensation spring.

G75-H	Port		Compensation Spring	
	1/8" BSP	1/8" NPT	None	10m
	10	11	00	10
			20m	20

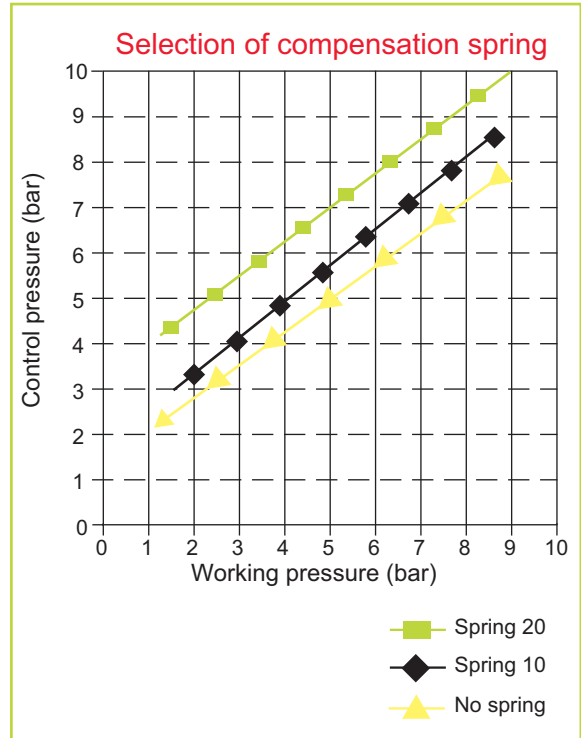


Technical Specifications

Functions:	3/2 Way
Ports size:	1/8" BSP or NPT
Orifice size:	equivalent to $\bar{5}$ (mm)
Kv:	5 (LPM)
Media:	Water
Pressure range:	1.5 - 10 (atm)
Temperature range:	4°C - 60°C
Materials:	Body : reinforced P.A. 6, Brass Seals : EPDM Spring : AISI 302
Weight:	45 (gr)

How to select a spring

Draw a vertical line from the working pressure scale. The pilot pressure should be higher than the value indicated on the control pressure scale (i.e. pilot pressure plus hydrostatic pressure). To work at 5 bar working pressure and 6 bar control pressure use "10m spring".



Dimensions

