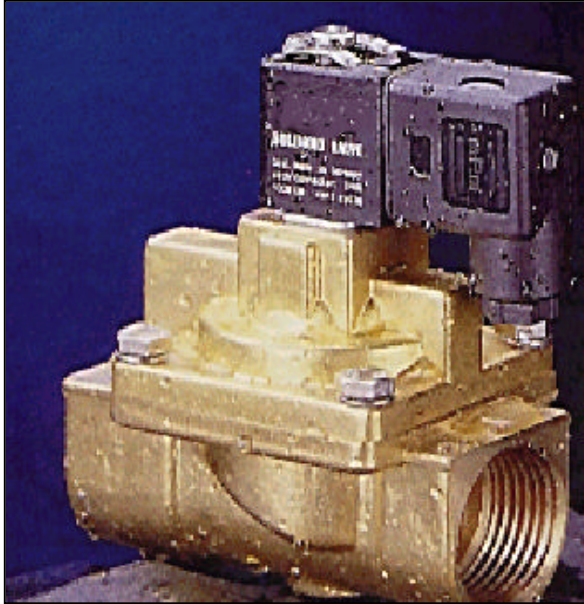


Pilot Operated Diaphragm Valve 2/2 way N.C. 1/2" 3/4" and 1 " Bsp



General Description

Pilot operated 2/2 way valves are recommended for applications where high flow and high pressures are required.

Possible applications

Fire protection, irrigation, and industrial laundries car wash machines, instrumentation, heating, and furnace equipment.

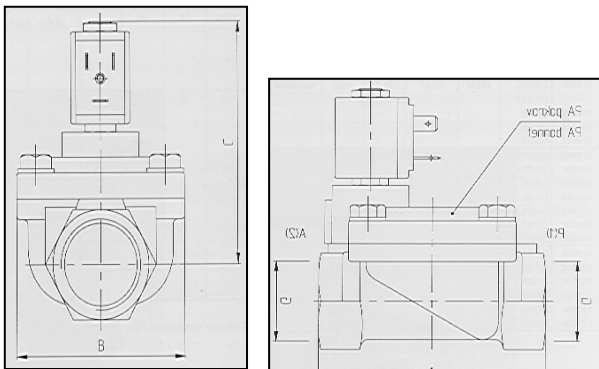
Notes

1. The working pressure is up to 10 bar
2. A minimum pressure of 0.5 bar is required
3. Working pressure up to 16 bar on request
4. Max Temperature 85 °C NBR other materials on request
5. Coil power AC 8.5/6.9 VA DC 5Watts
6. Use on Air, Oil, Water, & Low Pressure Steam, Subject to seal material suitability

HOW TO ORDER:

Example: Gem-D-2751N0-311

Is a 3/4" 2/2 N.C. valve
NBR seals brass base
24/50AC coil plus connector, .



Dimensions			
size	A	B	C
1/2"Bsp	64	41.5	91
3/4"Bsp	81	51.5	96
1"Bsp	91	61.5	100

GEM-D	Body	Port	Function	Seals	M/O	Voltage	Power	Con
GEM - D	2 = Brass	50= 1/2" bsp 75 = 3/4" bsp 100= 1" bsp	1 = 2w NC	N = NBR V = VITON E = EPDM T = Teflon	0 = None M = Manual Override	2 = 12 3 = 24 5 = 110 8 = 240	1=AC5W 50Hz0 = Without 3 =DC 5W 1 = With 2 = LED	9 = Other