

GEVA 75 Inline Electric Valves 3/4", 1", 1-1/2" & 2" 2/2 Way NC Zero pressure

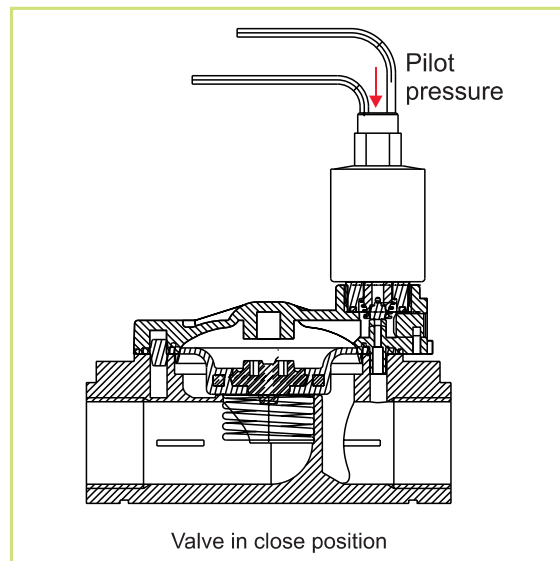
General Description

GEVA 75 control valves 3/4" - 2" provide high hydraulic performances in fluid control.

Both the efficient design and the advanced technology plastics they are made of, make the valves strong, with very low maintenance.

Notes

- Made from synthetic elastomers, Stainless steel and plastics resistant to corrosion.
- They work in a wide range of pressures.
- Manual override in all the valves with internal draining.
- Minimum pilot pressure 1.5 bar above line pressure.
- Very low head loss with high flows.
- Easy maintenance. Total access to the internal parts from the cover of the valve.



Applications

- Electric remote control
- Drain systems
- Close systems

How to Order

Example : G75 - Z - 60151

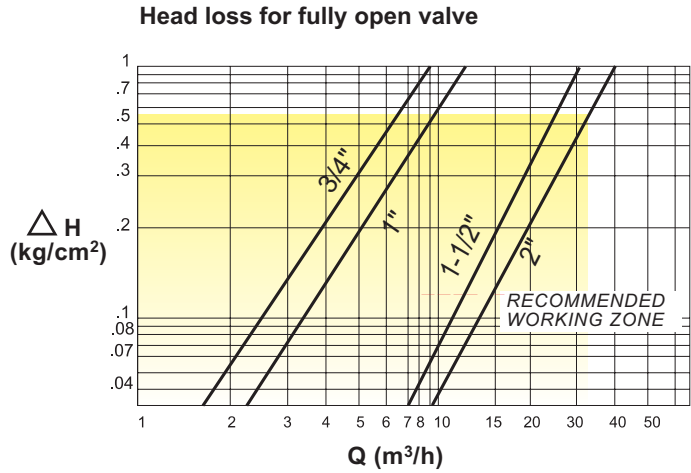
Is a GEVA 75 1" BSP inline electric valve, 2WNC with flow control, 24V AC for zero differential pressure.

G75-Z	Port	Function	Flow control	Voltage	Wires*
	3/4"BSPT 50	2WNC 1	with 5	24VAC 1	two null three a
	3/4"NPT 51		without 6	9-12 Latch(4) 2	
	1" BSPT 60			12VAC 3	
	1" NPT 61			12VDC 4	
	1-1/2" BSPT 70			24VDC 5	
	1-1/2" NPT 71			24Latch(23) 6	
	2" BSPT 80			110VAC 7	
	2" NPT 81			6 Latch (4) B	
			12 Latch (9) C		
			16 Latch (12) D		

*For latch only

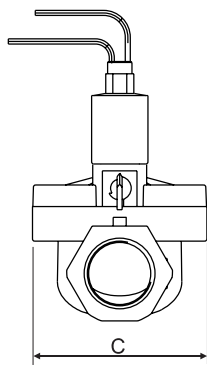
Technical Specifications

Size: 3/4", 1", 1-1/2", 2"
Connection: Female BSPT or NPT thread
Pressure range: Line: 0-6 bar
 Pilot: 1.5 bar above line pressure
Max.Fluid Temp: 50°
Solenoid: Geva 75
 3WNO solenoid
Materials: **Body & Cover:** Reinforced Nylon
Spring : AISI 302
Diaphragm: PVC
Seals: Buna - N
Screws: AISI 304

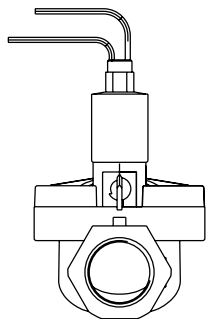
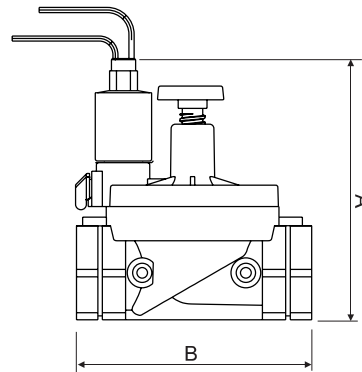


Dimensions

Size	A	B	C	Weight
3/4"	117	110	81	230g
1"	124	110	81	230g
1-1/2"	180	160	126	740g
2"	190	170	126	740g



With flow control



Without flow control

