

GEM-SOL Direct Operated TYPE V 2/2 Way, 3/2 Way NC, NO

General Description

GEM-SOL solenoid valves are designed to be mounted on a sub-base or on an appropriate counterpart adapted to this valve type.

This version is suitable for mounting any number of valves on the same sub-base plate. Any combination of 2/2 or 3/2 way normally closed or open may be grouped together.

The modular manifold design enables to achieve any manifold length.

This system allows a wide program of control or automation in minimum space and maximum rationalization.



Notes

- Valves are inspected at general pressures of 12 bar or less (see tables). Valves for higher pressures are available upon request.
- Baccara manufactures two types of NO valves:
 - Supply pressure is through the base as in NC valves. These valves can be combined in a standard manifold. They are without manual override.
 - Supply pressure is through the tube. These valves cannot be combined in a standard manifold. They are with manual override.
- When using a manifold with more than 8 stations it is advisable to use two air supplies, one at each end.
- ADC valves are suitable to work only with AC 8W or DC 10W coils.
- LATCH valves are available upon request. To order valves manufactured to your specific requirements, please contact our technical sales department.



Size:	Any number of stations, built from three basic components: Left End Section, Right End Section and Middle Section.
Assembly:	Push in and turn 90°
Port size:	1/8" BSP or NPT
Material:	Mazak

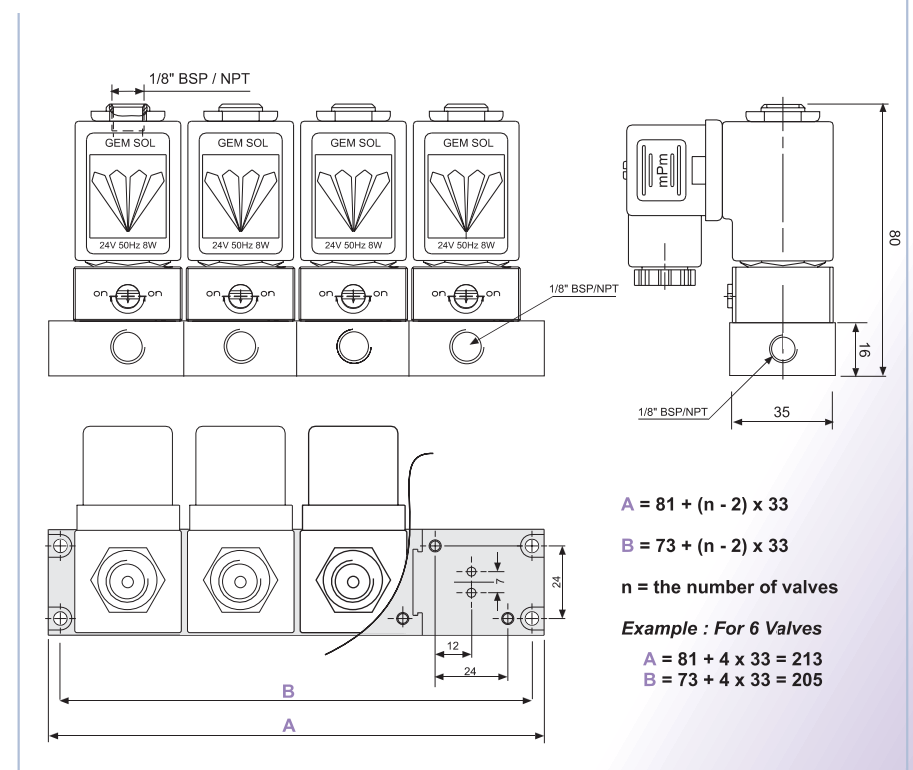
How to Order Manifold Components:

Example : GEM-V-102

Is a GEM-SOL 'V' type manifold
1/8" BSP right component.

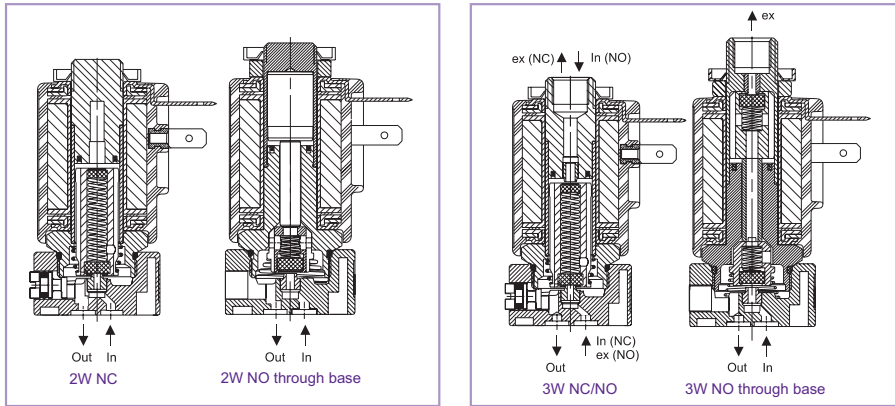
GEM-V	Port	Component	
BSP	10	Left	1
NPT	11	Right	2
		Middle	3

Dimensions





GEM-SOL Direct Operated TYPE V 2/2 Way, 3/2 Way NC, NO



How to Order Table applying to *all* the valves being of *identical* functions.

GEM-V	No. of valves	No. of stations	Port	Body	Function	Orifice	Seals	Manual Override	Voltage	Power	Connector
	Specify quantity	Specify quantity	1/8" BSP 10 1/8" NPT 11	Mazak Brass 1 2	2W NC 1 2W NO 2 2W NO* 2a 3W NC 3 3W NO 4 3W NO* 4a	0.8 1 1.2 2 1.6 3 2.0 4 2.4 5 3.0 6	NBR N VITON V EPDM E	None Plastic 1 Slot 2 Knob 3	W/out coil 0 6 12 24 48 110 120 230 240 other 9	No coil 0 AC8W 50Hz 1 AC8W 60Hz 2 DC10W 3 AC5.5W 50Hz 4 AC5.5W 60Hz 5 AC 2.5W 6 DC 5.5W 7 DC 3.5W 8	without LED 0 with LED 1 with bi color LED 2 with flying leads 3 coil with 1/2" Hub 5

Example : GEM-V-6/6-10132V2-220
Is a GEM-SOL direct operated sub-base 'V' type, 1/8" BSP with Mazak body, 3WNC 1.2, Viton seals, slot M/O, 12V AC 8W 60Hz without connector.

*supply pressure through base

How to Order Table specifying *individual* valves with own *independent* functions.

GEM-V	No. of valves	No. of stations	Port	Body	Function	Orifice	Seals	Manual Override	Voltage	Power	Connector
	Specify quantity	Specify quantity									
	Specify quantity	Specify quantity									
	Specify quantity	Specify quantity									

As above table

Example :
GEM-V-2/6-10132N0-221 — 2/6 stations with 1/8" BSP Mazak body, 3W NC, 1.2 orifice, NBR seal no manual override, 12V AC 8W 60Hz with

GEM-V-3/6-10142N0-221 — 3/6 stations with 1/8" BSP Mazak body, 3W NO, 1.2 orifice, NBR seal no manual override, 12V AC 8W 60Hz with

GEM-V-1/6-10112N0-221 — 1/6 stations with 1/8" BSP Mazak body, 2W NC, 1.2 orifice, NBR seal no manual override, 12V AC 8W 60Hz with

BACK

Technical Specifications

Function:	2/2, 3/2 Way NC & NO
Mounting:	Vertical, on sub-base 2 screws M4
Orifice:	See table
Kv:	See table
Pressure range:	See table
Temperature range:	Fluid: max 80°C Ambient: -10°C to 50°C
Manual Override:	Plastic, brass screw or brass finger knob
Materials :	Main valve : Mazak, Brass Solenoid Operator: Stainless steel 300 & 400 series Seals: NBR, Viton or EPDM
Weight (with coil):	220 gr for Mazak valve
Media:	Air, water, oil
Coil voltage:	All Baccara coils voltages ± 10% AC 8W, 5.5W and 2.5W & DC 10W, 5.5 and 3.5W

Protection class IP65

Max. Pressure (bar) 2W, 3W NC Table

Coil Current/Power	Orifice					
	0.8	1.2	1.6	2.0	2.4	3.0
ADC	23	20	15	10	8	5.5
AC/8W DC/10W	35	30	17	14	10	6
AC/5.5W	23	20	15	10	8	5.5
AC/2.5WDC/5.5WDC/3.5W	20	16	10	9	5	4
Flow factor Kv(L/min)	0.6	1.1	1.7	2.5	3.5	4.5

Max. Pressure (bar) 2W, 3W NO Table

Coil Current/Power	Orifice					
	0.8	1.2	1.6	2.0	2.4	3.0
ADC	25	20	15	11	8	6
* AC/8W DC/10W	30	22	17	12	10	7
* AC/5.5W DC/5.5W	25	20	15	11	8	6
* AC/2.5W DC/3.5W	20	18	12	8	6	4
Flow factor Kv(L/min)	0.6	1	1.4	2.2	3.0	3.5

* These are not applicable for NO through base valves

Dimensions

