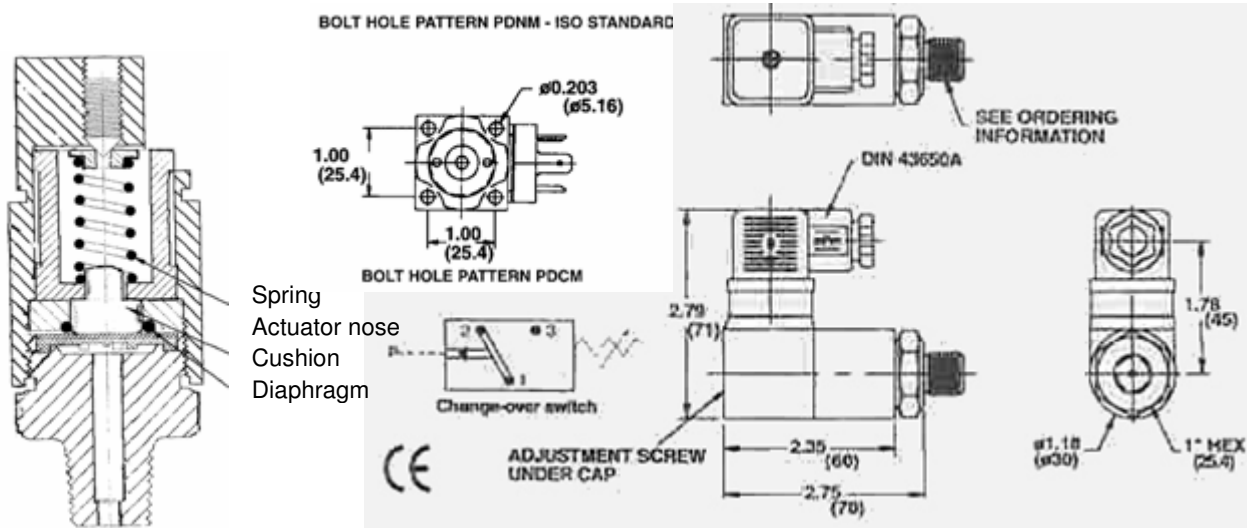


PDCA/PDCM



Electrical	5 AMP - 12/24 VDC - 125/250 VAC
Protection	DIN 43650A - IP65
Temperature range	Ambient & Media - 40°F to + 180 °F (- 40° to +80 °C)
Mechanical Life	10,000,000 at 70 Bar (1000 PSI) Nitrile
Diaphragm material	Nitrile Standard (optional EPDM & Viton)
Housing material	Steel - Zinc plated standard (optional 316SS)
Maximum overpressure	600 Bar (9000PSI)
Repeatability	± 2% of full set point range @ 20 °C (70 °F)
Weight	0.23KG (0.5.0lbs)

Adjustment Ranges

Model	Adjustment range		Average differential	Wetted parts
	PSI	BAR		
1	5 > 25	0.35 > 1.7	Model PDCA has a Fixed differential From approximately 10 to 20% Of the full set range	Nitrile And Zinc plated steel
2	15 > 75	1 > 5		
2A	50 > 150	3.5 > 10		
3	150 > 650	10 > 45		
4A	500 > 1750	35 > 120		
4	1000 > 3500	70 > 240		
5	2500 > 6000	170 > 420		

*PDCM = ISO standard manifold mount switch

How to adjust pressure switch settings:

Standard Electrical Circuit		
Wire Colour	DIN 43650 number	C Circuit
Black	1	Common
Green	2	N. Closed
Red	3	N. Open

1. Adjusting screw > remove flip top 1/8" Allen adjustment screw underneath.
2. Turn adjuster clockwise to increase set point and counter clockwise to decrease.
3. Replace cap when adjustment is