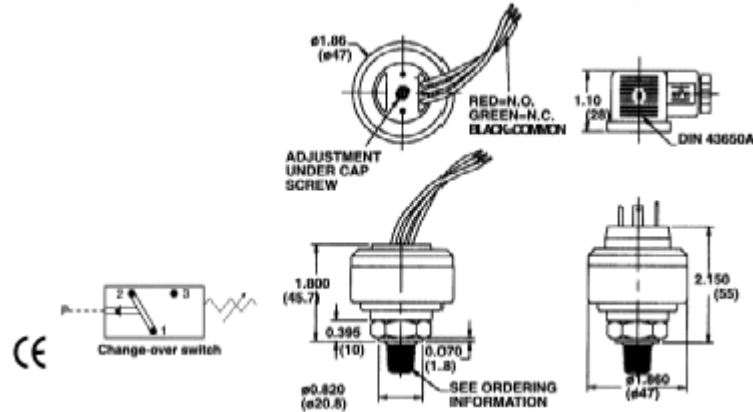




Pressure Devices, Inc.

Tel: 1-864-638-5491
 1-800-833-2240
 Fax: 1-864-638-7562

PVPA/PVPF VACUUM SWITCH DATA SHEET



Technical Specifications

Electrical	5 AMP - 12/24 VDC - 125/250 VAC Gold contacts may be required for less than 12VDC and 20 Milliamp
Protection	DIN 43650A - IP65 / Terminals - IP00 / Flying Leads - IP67
Temperature range	-40°F to +180°F (-40°C to +80°C) Ambient and Medium
Mechanical life	10 ⁵ cycles at 10 in Hg (300 MilliBar)
Diaphragm material	Nitrile Standard (Optional EPDM, Viton® and KAPTON®)
Housing material	Brass
Maximum overpressure	250 psi (20 Bar)
Repeatability	±2% of full set point range at 70°F (20C) Ambient temperature
Weight	Brass Housing .31 lbs. (.14 Kg)

Adjustment Ranges

Model	Adjustment Ranges		Average Differential		Standard Wetted Area Material
	in Hg	MilliBar	in Hg	MilliBar	
1	.75/5	22/150	.2/.5	.6/1.5	Nitrile and Brass
2	4/15	120/500	.3/.7	.9/2	

