



PSP

PUMP PRESSURE SWITCH

Electrical:
20 A 12/24 VDC—125VAC

12 A 250 VAC

Protection:
Plastic cover straight through wiring captive cover screw
Rubber Grommet

Temperature Range:
-25C to +85 C

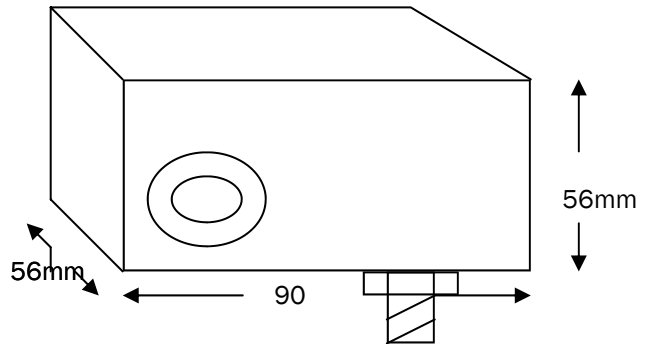
Mechanical Life:
1,000,000 Plus Cycles

Diaphragm Materials:
Nitrile (Optional Viton or EPDM)

Housing Material:
Steel or Stainless Steel

Max overpressure:
350 PSI (25 BAR)

Weight:
1.5 lbs (0.45 kg)



Range	Adjustment
1	35– 150 PSI (2.3 - 10 BAR)
Differential	30–40 PSI (2–3 bar)

How to Order:

PSP — 1— 4G— A— BH

<p>PSP</p>	<p>(Adjustment range) Above</p>	<p>4G 1/4" Bsp 4M 1/4" Npt</p>	<p>A N.O. BH BOX Housing</p>	<p>Options Blank Standard 1. Viton 2. EPDM 3. St St</p>
-------------------	--------------------------------------	--	--	--

Other options by request