

# GEVA 75 Inline Electric and Hydraulic Valve 3/4", 1" 2/2 Way, NC

## General Description

GEVA 75 control valves, 3/4" and 1", provide high hydraulic performances in fluid control.

Both the efficient design and the advanced technology plastics they are made of, make the valves strong, with very low maintenance.

## Notes

- Made from synthetic elastomers, Stainless steel and plastics resistant to corrosion.
- They work in a wide range of pressures.
- Manual override in all the valves with internal draining.
- Progressive opening and shut off that prevents water hammer.
- Very low head loss with high flows.
- Easy maintenance. Total access to the internal parts from the cover of the valve.
- Wide range of possibilities such as electric valves, pressure regulating etc.



## Applications

- Electric remote control
- Farm and gardening irrigation
- Advanced computerized irrigation
- Level control
- Filtration systems
- Fertilization systems
- Environmental control

## How to Order

**Example : G75 - S - 50151**

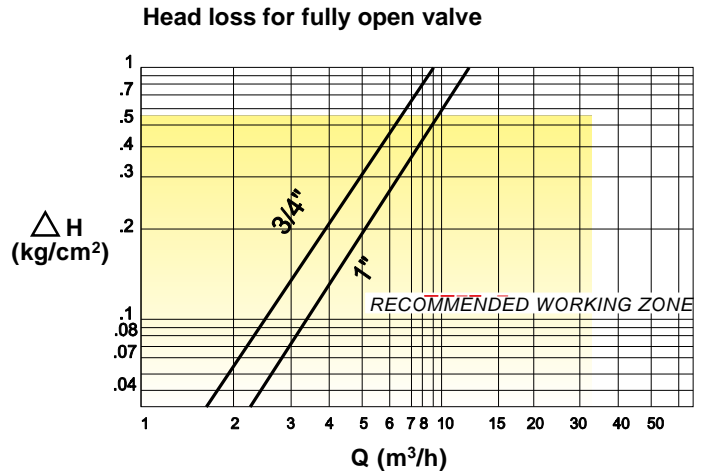
Is a GEVA 75 3/4" BSPT inline electric hydraulic valve, 2WNC, with flow control, 24V AC.

G75-S	Port	Function	Flow control	Voltage	Wires *
	3/4" BSP 50	2WNC 1	with 5	Hydraulic 0	two null
	1" BSPT 60		without 6	24VAC 1	three a
	3/4" NPT 51			9-12 Latch(4Ω) 2	
	1" NPT 61			12VAC 3	
				12VDC 4	
				24VDC 5	
				24Latch(23Ω) 6	
				110VAC 7	
				6 Latch (4Ω) B	
				12 Latch (9Ω) C	
				16 Latch (12Ω) D	

*\*For latch only*

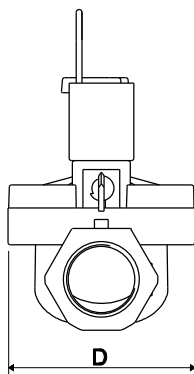
## Technical Specifications

Size:	3/4" and 1"
Connection:	Female BSPT or NPT thread
Pressure range:	0.3 - 10Kg/cm <sup>2</sup>
Max.Fluid Temp:	50°
Solenoid:	Geva 75 2WNC solenoids, all voltages
Materials:	<b>Body &amp; Cover:</b> Reinforced Nylon <b>Spring :</b> AISI 302 <b>Diaphragm:</b> PVC <b>Seals:</b> Buna - N <b>Screws:</b> AISI 304

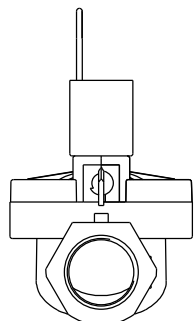
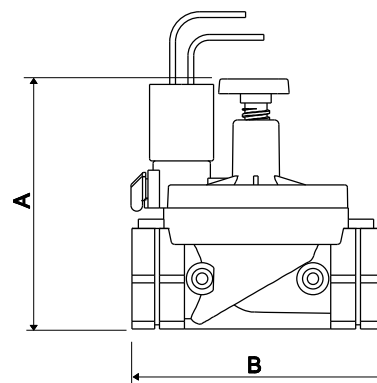


### Dimensions

Size	A	B	C	D	Weight
3/4"	105	110	105	81	230g
1"	112	110	112	81	230g



With flow control



Without flow control

