



BFM

Inline VA Flow Meter

BFM :

Precision molded AS clear
Inline VA meter

Accuracy :

± 4% Full Scale

Temperature Range :

+60 C MAX

Materials:

Float : ABS Coated Steel

Guide Rod: 316 St St

if applicable

Seals: Silicone rubber

Body: Clear ABS

Max overpressure:

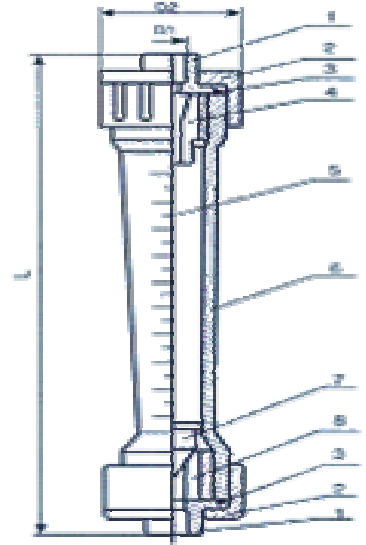
100 PSI (7 BAR)

Weight:

Dependant on size

Thread:

1/2" . 3/4" .1". 1 1/2".



- 1 Pipe connection
- 2 Screw cap
- 3 O - Ring
- 4 Upper stop
- 5 Scale
- 6 Tube
- 7 Float
- 8 Lower stop

How to Order:

BFM 15 – 25–250 L/Hr – 1/2"

Model	Size (MM)	Range (water 20 deg C)		Dimensions (CM)			
		M3/hr	LPH	L	Pipe Dia D1	D 2	Thread
BFM15	15		10 - 100	280	Dia 20mm	Dia 32mm	1/2" bsp
			16 - 160				
			25 - 250				
BFM15	15		40 - 400	280	Dia 20mm	Dia 32mm	1/2" Bsp
			60 - 600				
BFM 20	20		100 - 1000	380	Dia.32mm	Dia.43mm	3/4" Bsp
			160 - 1600				
			250 - 2500				
			300 - 3000				
BFM 25	25	0.4 - 4M3/hr		425	Dia.63mm	Dia.75mm	1 1/2" Bsp
BFM 25	25	1 - 10 M3/hr		425	Dia.63mm	Dia.75mm	1 1/2" Bsp



BFM

Inline VA Flow Meter

BFM :
Precision molded AS clear
Inline VA meter

Accuracy :
 \pm 4% Full Scale

Temperature Range :
+60 C MAX

Materials:
Float : ABS Coated Steel

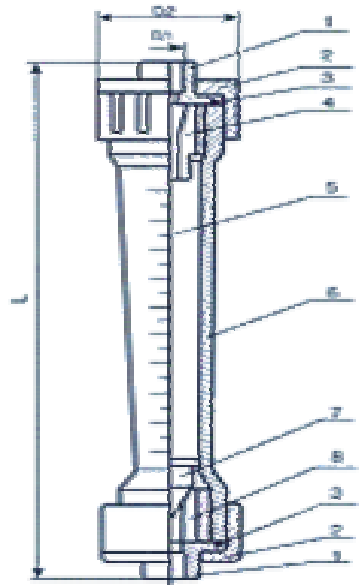
Guide Rod: 316 St St
if applicable

Seals: Silicone rubber

Body: Clear ABS

Max overpressure:
100 PSI (7 BAR)

Weight:
Dependant on size



- 1 Pipe connection
- 2 Screw cap
- 3 O - Ring
- 4 Upper stop
- 5 Scale
- 6 Tube
- 7 Float
- 8 Lower stop

How to Order:

BFM 50 – 5–25 M3/Hr – 1.1/2"

Model	Size (MM)	Range (water 20 deg C)		Dimensions (CM)			
		M3/hr	LPM	L	Pipe Dia D1	D 2	Thread
BFM -2- 50	50	1 - 10 M3/hr	16–160	341	Dia 63mm	Dia 32mm	1.1/2" bsp
		1.6 - 16 M3/hr	25 - 250				
		5 – 25 M3/hr	40 - 400				
BFM–2–65	65	8 - 40 M3/hr	65 - 550	430	Dia 75mm	Dia 85mm	2" Bsp
		12 - 60 M3/hr	120 – 650				
			200 - 1000				