



GEM-SOL Direct Operated Type NAMUR 3/2 Way NC

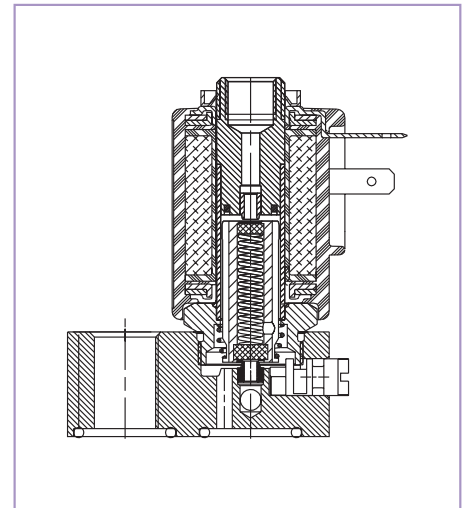
General Description

These GEM-SOL solenoid valves with NAMUR plate are designed to be mounted on an appropriate counterpart adapted to this valve type. A close circuit system is also available for use in contaminated installations.



Notes

- Valves are inspected at general pressures of 12 bar or less (see table). Valves for higher pressure are available.
- ADC valves are suitable to work only with AC 8W or DC 10W coils.



How to Order

Example : GEM-N-135N1-311

Is a GEM-SOL direct operated with NAMUR plate, 3W NC, 2.4 orifice, NBR, plastic manual override 24V AC 8W 50 Hz with connector.

GEM-N	Body	Function	Orifice	Seals	Manual Override	Voltage	Power	Connector
	Alum. 1	3WNC 3	1.6 3 2.4 5	NBR N VITON V	None 0 Plastic 1 Slot 2 Knob 3	W/out coil 0 6 1 12 2 24 3 48 4 110 5 120 6 230 7 240 8 other 9	No coil 0 AC8W 50Hz 1 AC8W 60Hz 2 DC10W 3 AC5.5W50Hz 4 AC5.5W60Hz 5 AC2.5W 6 DC5.5W 7 DC3.5W 8	without 0 with 1 with LED 2 with bi color LED 3 flying leads coil 4 with 1/2" Hub 5 Ex proof 6



Technical Specifications

Function:	3/2 way NC
Orifice:	See table
Kv:	See table
Pressure range:	See table
Temperature range:	Fluid: max 80°C Ambient: -10°C to 50°C
Manual Override:	Plastic or Brass 90° turn
Materials :	Main valve : Aluminium Solenoid Operator: Stainless steel 300 & 400 series Seals: NBR, Viton
Media:	Air
Coil voltage:	All Baccara coils voltages ± 10% AC 8W, 5.5 and 2.5W & DC 10W, 5.5 and 3.5W
	Protection class IP65

Max. Pressure (bar) 2W NC Table

Coil Current/Power	Orifice	
	1.6	2.4
ADC	15	8
AC/8W DC/10W	17	10
AC/5.5W	15	8
AC/2.5W DC/5.5/3.5W	10	5
Flow factor Kv(Lmin)	1.7	3.5

Dimensions

