

## GEVA 75 Inline Electric and Hydraulic Valves 1-1/2", 2" 2/2 Way, NC

### General Description

GEVA 75 control valves, 1-1/2" and 2", provide high hydraulic performances in fluid control. Both the efficient design and the sophisticated plastics they are made of, make the GEVA 75 valves strong, with very low maintenance.

### Notes

- Made from advanced technology plastics, synthetic elastomers and Stainless steel resistant to corrosion.
- They work in a wide range of pressures.
- Manual override in all the valves with internal draining.
- Progressive opening and shut off that prevents water hammer.
- Very low head loss with high flows.
- Easy maintenance. Total access to the internal parts from the cover of the valve.
- Wide range of possibilities such as electric valves, pressure regulating etc.

### Applications

- Electric remote control
- Farm and gardening irrigation
- Advanced computerized irrigation
- Level control
- Filtration systems
- Fertilization systems
- Environmental control



*Solenoid only for demonstration*

### How to Order

Example : G75 - S - 70152

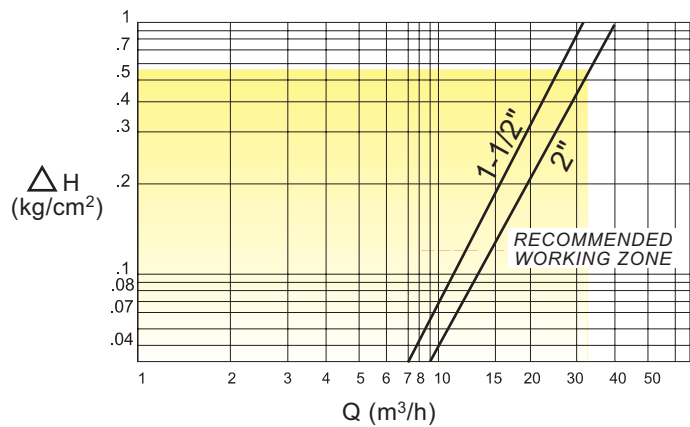
Is a GEVA 75 1-1/2" BSP inline electric hydraulic valve, 2WNC, with flow control, and latch.

G75-S	Port	Function	Flow control	Voltage
	1-1/2"BSPT 70	2WNC 1	with 5	No coil hydraulic 0
	1-1/2"NPT 71			24VAC 1
	2"BSPT 80			9-12VDC Latch 2
	2"NPT 81			12VAC 3
				12VDC 4
				24VDC 5
				24VDC Latch 6
				110VAC 7

## Technical Specifications

**Size:** 1-1/2" and 2"  
**Connection:** Female BSPT or NPT thread  
**Pressure range:** 0.3 - 10bar  
**Max. pressure:** 10 bar  
**Max. Fluid Temp:** 50°C  
**Solenoid:** Geva 75  
 2WNC solenoids, all voltages  
**Materials:** **Body & Cover:** Reinforced Nylon  
**Spring :** AISI 302  
**Diaphragm:** PVC  
**Seals:** Buna - N  
**Screws:** AISI 304

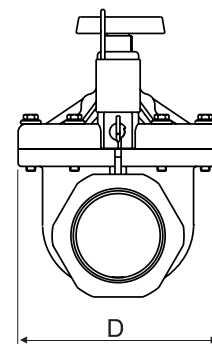
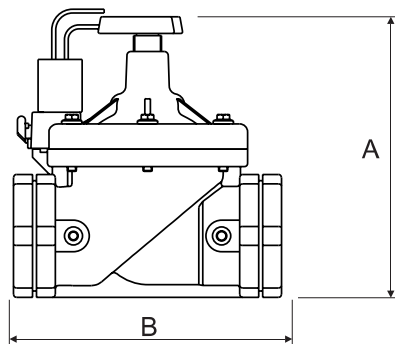
Head loss for fully open valve



Dimensions

Size	A	B	C	Weight
1-1/2"	180	160	126	740g
2"	190	170	126	790g

With Integrated Solenoid



Hydraulic Operated

