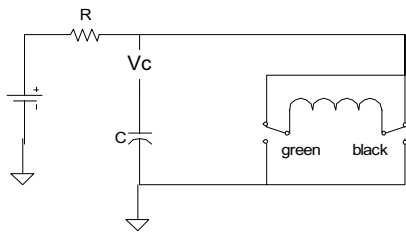


Operation Driver for Latch Coils

1. Non direct operation with two switches (or two transistors):



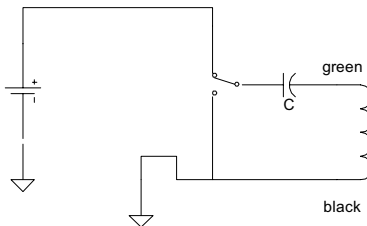
T_{VC} is the time to charge the capacitor, in order to reduce the time use a smaller resistor, but never less than 100Ω .

$$C = 4700\mu F$$

$$T_{VC} = 5 \cdot R \cdot C [\text{sec}]$$

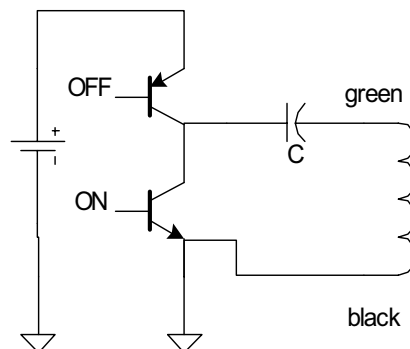
$$t_{on/off} = 30 \div 50 \text{ msec}$$

2. Non direct operation with one switch (or transistor):



$$C = 4700\mu F$$

$$t_{on/off} = 30 \div 50 \text{ msec}$$



3. Direct operation:

