

GEM-SOL Chem-Sol 1/2" 2/2 Way NC

General Description

These GEM-SOL 2/2 way NC Chem-Sol solenoid valves are recommended for use in applications where corrosive fluid must be controlled, such as in chemical process, water treatment, analysis device etc.

They can be used in industrial and irrigation control and automation systems.



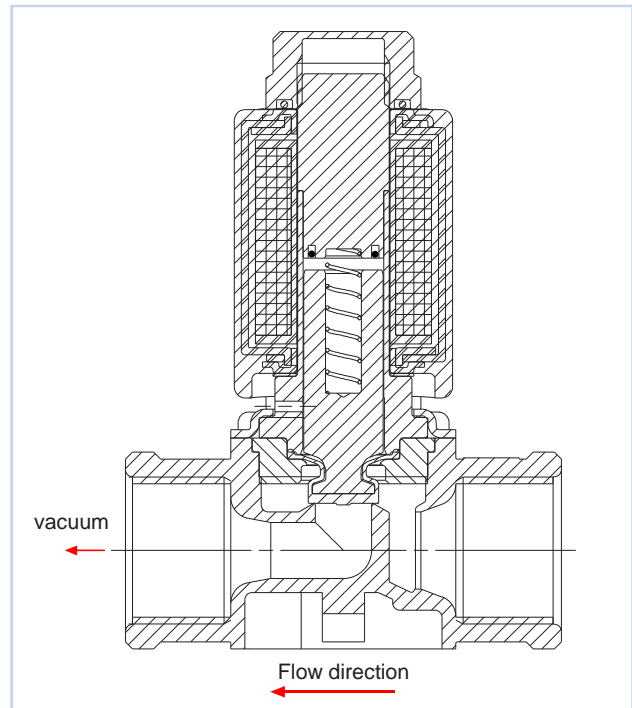
Notes

- Contact our technical department for more information on valve and fluid compatibility.
- To order valves manufactured to your specific requirements, please contact our technical department.
- Specify if application is pressure or vacuum.
- All valves are assembled with seal coil nut, lower coil gasket and impregnated coil.
- Options:
 - Supplied with mounting threads upon request. Please specify when ordering.

How to Order

Example : GEM-C-4011V-321

Is a GEM-SOL Chem-Sol, 1/2" BSP, 2WNC for vacuum, Viton seals, 24V AC 8W 60 Hz with connector.



Note: When ordering without coil, please define what current and pressure rating is needed (DC or AC).

GEM-C	Port	Function	Pressure	Seals	Voltage	Power	Connector
	1/2" BSP 40	2W NC 1	Vacuum 1	Viton V	W/out coil 0	No coil 0	without 0
	1/2" NPT 41		Pressure 2	EPDM E	6 1	AC8W 50Hz 1	with 1
					12 2	AC8W 60Hz 2	with LED 2
					24 3	DC10W 3	with bi color LED 3
					48 4	AC5.5W50Hz 4	flying leads coil 4
					110 5	AC5.5W60Hz 5	with 1/2" Hub 5
					120 6		surge protection with LED 6
					230 7		other 9
					240 8		
					other 9		



Technical Specifications

Function:	2/2 Way NC
Ports size:	1/2" BSP & NPT
Orifice:	8mm
Kv:	18 L/min
Pressure:	See table
Temperature range:	Fluid: 5° C to max 50° C Ambient: -10° C to 50° C
Materials:	Main valve: PVC Diaphragm: Viton, EPDM
Coil Voltage:	All Baccara coils voltages from -5% to +10% AC 8W, 5.5W DC 10W

Pressure Table - NC

Coil	Flow direction not restricted	Flow direction restricted
AC 8W	0 to 0.7 bar	Min.dp 0.3 bar

Vacuum Type Table - NC

Coil	Flow direction not restricted	Flow direction restricted
AC 8W	-1 to 0.5	-1 to 0.5
AC5.5W	-0.5 to 0.5	-0.8 to 0.5
DC10W	-0.4 to 0.5	-0.6 to 0.5

Protection class IP65 with plug attached

Dimensions

