

GEVA 75 Inline Hydraulic Valve 1-1/2", 2" Level float valve

General Description

GEVA 75 control valves, 1-1/2" and 2" provide high hydraulic performances in fluid control. Both the efficient design and the sophisticated plastics they are made of, make the GEVA 75 valves strong, with very low maintenance.



Notes

Supplied without solenoid and accessories.

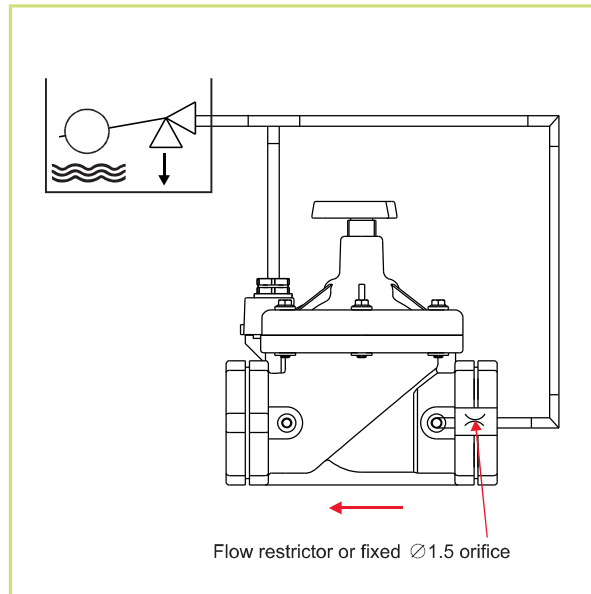
Applications

- Electric remote control
- Farm and gardening irrigation
- Advanced computerized irrigation
- Level control
- Filtration systems
- Fertilization systems
- Environmental control

How to Order

Example : G75 - S - 70150

Is a GEVA 75 1-1/2"BSP inline hydraulic valve, 2WNC with flow control.



G75-S	Port	Function	Flow control	Voltage
	1-1/2"BSP 70	2WNC 1	with 5	No coil hydraulic 0
	1-1/2"NPT 71			
	2" BSP 80			
	2" NPT 81			