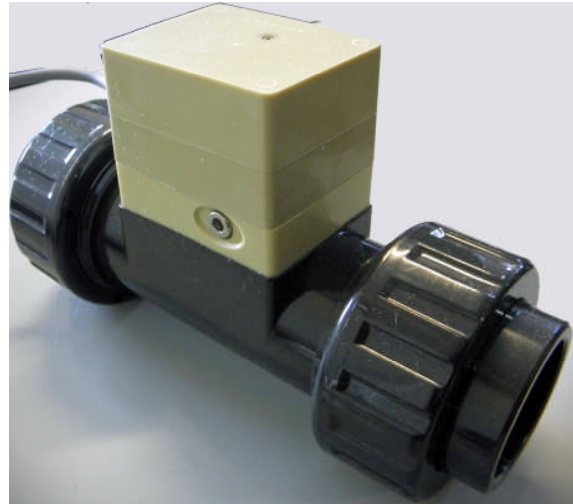


## KTW PVC Turbine Flow Meters

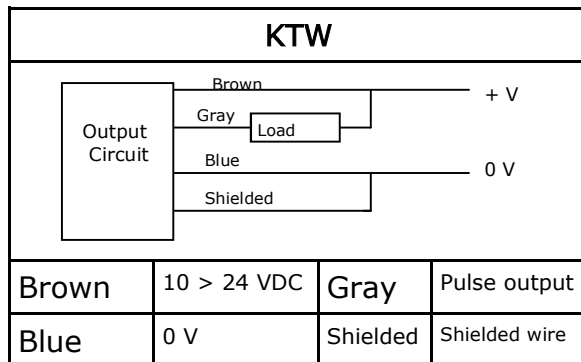
### KTW PVC Cost effective flow sensor

- 1 ) Ideal for Water treatment or irrigation applications
- 2 ) Accuracy (+ or-2% FS) CE compliant.
- 3) This unit can be installed horizontally or vertically.
- 4) A filter is recommended before the meter to avoid solids from passing through the unit and damaging the paddle wheel.
- 5) It is not recommended to flush the unit after installation as it may damage the ceramic shaft.
- 6) the meter tube should be filled with fluid at all times when in operation.



Operating Voltage		10 > 30 VDC	IP65	Current consumption 60Ma		
KT Pipe Size	1/2"	3/4"	1"	1 1/2"	2"	
Min Flow L/M	3.5	5.0	9.0	25	40	
Max Flow L/M	120	170	300	850	1350	

Minimum Straight pipe upstream must be 10 x DN and 3 x DN down Stream



Pipe	Height	Length	Ø.D.
DN 15	78	140	41
DN 20	80	150	53
DN 25	83.3	160	60
DN 40	101.6	185	83
DN 50	115.4	197	110