

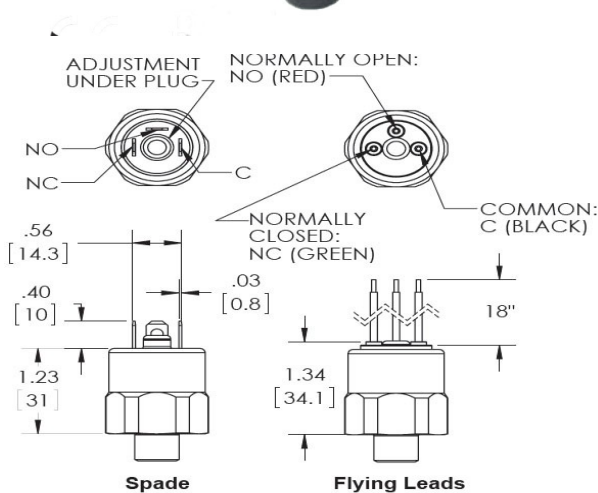
PHA Field Adjustable pressure switch with fixed differential

NEW GENERATION HIGH IMPACT PLASTIC



General Description

The PHA is a inline field adjustable pressure switch, which ranges from 0.2 Bar (3PSI) to 9 Bar (135PSI) depending on spring rating
 Max Pressure Rating 15 Bar (225) PSI
 Repeatability 2%
 Body Construction : Glass Filled Nylon
 Switch Type Snap action 3Amp Rating



Notes

1. Differential from 10% to 15% of full set range.
2. Over pressure to 15 Bar (225 PSI).
3. All switches are CE compliant.
4. Can be supplied with Gold Contacts for use with PLCs or where (less than 12volts and 20 milliamp) switching is required.
5. VITON has a much reduced mechanical life.

How to Order:

PHA 2 - 4G - C - SP

This is model PHA range 2 with 1/4 BSP Male Connection, change-over contacts, Spade Terminals

PHA	2	>	4G	>	C	>	HC	>	2
Model	Range		Medium Connection		Switch		Electrical Connections		Options
PSAH	1 = 0.2 > 1.4 Bar 2 = 1 > 6 Bar 3 = 2.7 > 9 Bar		4G = 1/4 BSP Male 4M = 1/4 NPT Male		C = Change-over		FL = Flying Leads SP = Spade Terminals		1 = VITON 2 = EPDM 3 = St St R=restrictor 7 = Gold Contacts
Other port thread sizes and options available on request									