

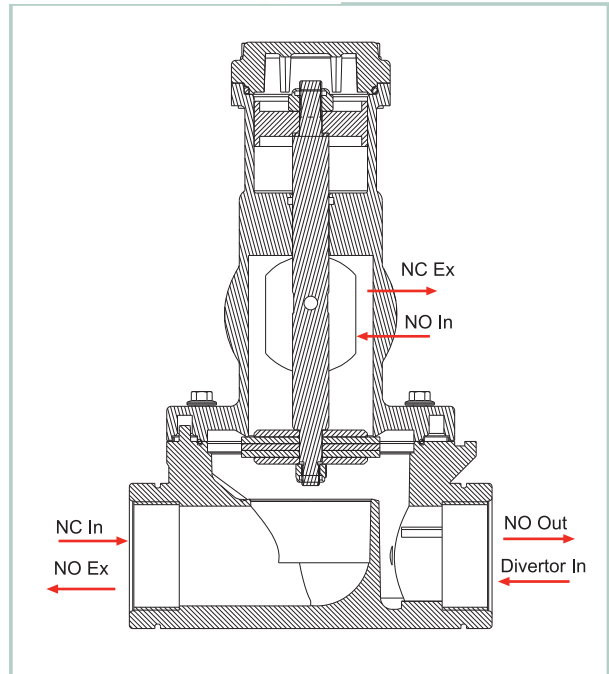
# Globe Cylinder Operated General Purpose 3/4", 1", 1-1/2", 2" 3/2 Way

## General Description

GC Globe Cylinder operated 3/2 way valves are recommended for applications where high flow is required. They can be used in control and automation systems at vacuum or pressure. Typical applications are irrigation and industrial air, water, and vacuum systems.

## Notes

- Minimum pilot pressure 3 bar.
- See graph of pilot pressure vs. line pressure.
- Use a 5x2 pilot valve to control the valve.
- To order valves manufactured to your specific requirements, please contact our technical sales department.



## How to Order

Example : GC-4160-9P

Is a GC Globe cylinder with nylon body,  
1" BSP 3W with polyurethane seals.

GC	Body	Type	Port	Function	Seals
	Nylon 4	Globe 1	3/4" BSP 50 3/4" NPT 51 1" BSP 60 1" NPT 61 1-1/2"BSP 70 1-1/2"NPT 71 2" BSP 80 2" NPT 81	General Purpose 9	Polyurethane P